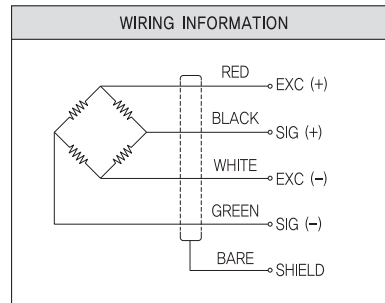
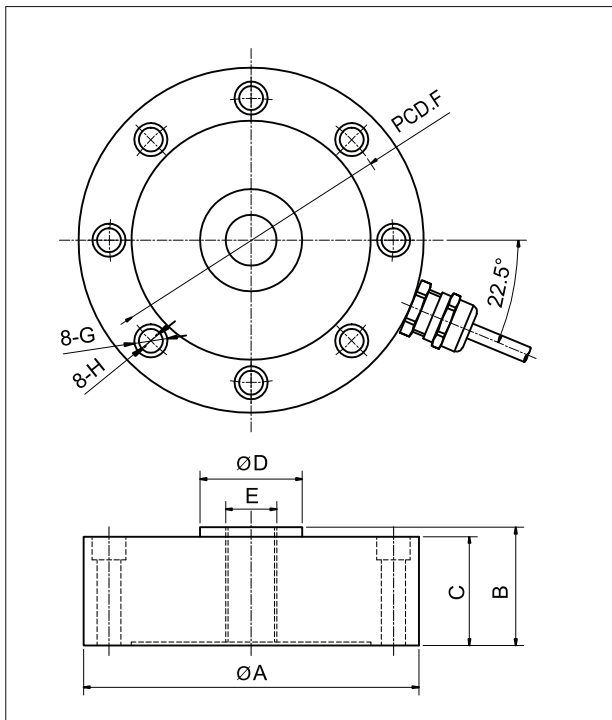
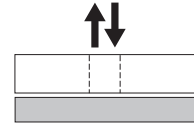


# Low Profile Compression Load Cell

## >Model : LYU27

Pancake type load cell.  
Alloy steel construction.  
High accuracy, Low profile, Easy to install.  
Protected against corrosion by nickel plated treatment  
Suitable for testing machine and hopper scales, etc.



## >SPECIFICATIONS

Specifications	Accuracy
Rated capacity(R.C.)	500kg, 1t, 2t, 3t, 5t, 10t, 15t, 20t, 25t, 30t
Rated output(R.O.)	0.2 ~ 2mV/V
Nonlinearity	0.1% of R.O
Hysteresis	0.1% of R.O
Reperatability	0.1% of R.O
Zero balance	±2% of R.O
Temp. effect on rated output	±0.1% of R.O/10°C
Temperature effect on zero balance	±0.1% of R.O/10°C
Temperature range, compensated	-10 ~ 60°C
Temperature range, safe	-20 ~ 80°C
Terminal resistance, input	700±10Ω
Terminal resistance, output	700±5Ω
Insulation resistance bridge	2000MΩ
Excitation recommended	10V
Safe overload	300 % of R.C.
Cable length	Ø5mm 4core,3m

## >DIMENSIONS TABLE

unit:mm

Model	ØA	B	C	ØD	E	F	G	H
500Kg,1t,2t,3t,5t	105	37	34	32	M16×1.5	89	Ø10.5 DP 7.2	Ø7.5
10t,15t,20t,25t	120.6	53.5	41	39	M32×1.5	101.8	Ø14 DP 10.5	Ø8.5
30t	141	57.2	50.8	50.4	M40×1.5	116.8	Ø18 DP 11	Ø11

★Specifications are subject to change without notice.

