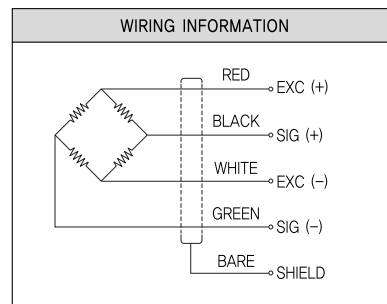
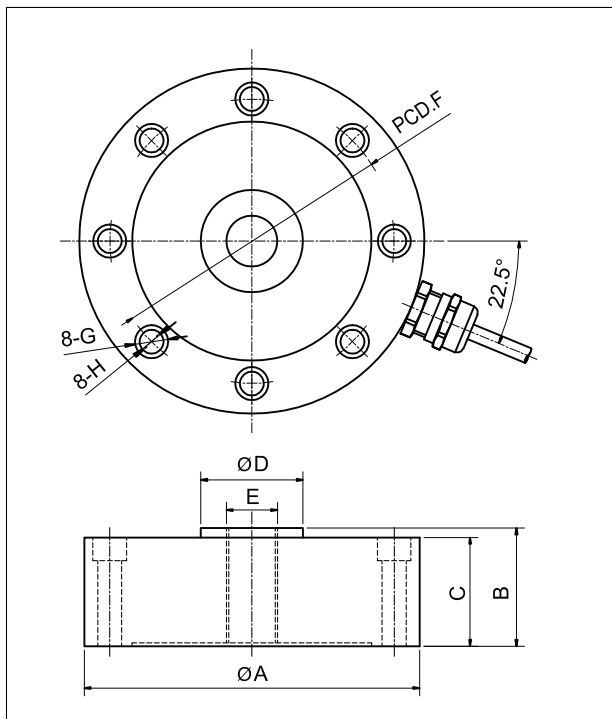
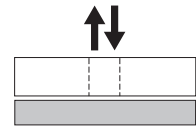


# Tension / Compression Load Cell

## >Model:LYU100

Pancake type load cell.  
 Alloy steel construction.  
 High accuracy, Low profile, Easy to install.  
 Protected against corrosion by nickel plated treatment  
 Suitable for testing machine and hopper scales, etc.



## >SPECIFICATIONS

Specifications	Accuracy
Rated capacity(R.C.)	100 Kg
Rated output(R.O.)	0.2 ~ 2mV/V
Nonlinearity	0.5% of R.O
Hysteresis	0.5% of R.O
Repeatability	0.5% of R.O
Zero balance	±10% of R.O
Temp. effect on rated output	±0.5% of R.O/10°C
Temperature effect on zero balance	±0.5% of R.O/10°C
Temperature range, compensated	-10 ~ 60°C
Temperature range, safe	-20 ~ 80°C
Terminal resistance, input	700±10Ω
Terminal resistance, output	700±5Ω
Insulation resistance bridge	2000MΩ
Excitation recommended	10V
Safe overload	300 % of R.C.
Cable length	Ø5mm 4core,3m

## >DIMENSIONS TABLE

unit:mm

Model	ØA	B	C	ØD	E	F	G	H
LYU100	105	37	34	32	M16×1.5	89	Ø10.5 DP 7.2	Ø7.5

★Specifications are subject to change without notice.