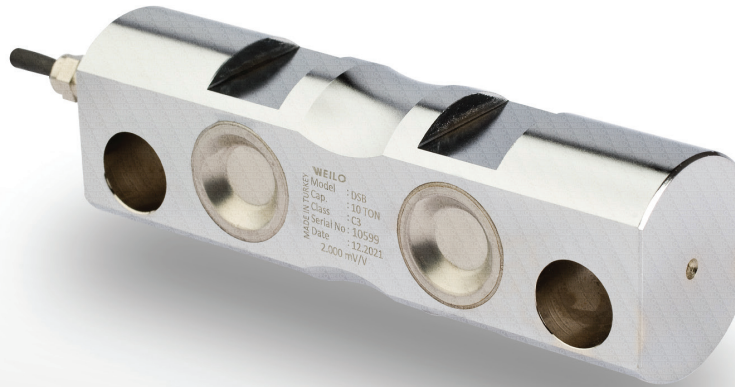


# DSB Load Cell



Load cell made of nickel plated steel alloyed or stainless steel.



## ABOUT PRODUCT

DSB model load cell is produced from nickel-plated steel alloyed or stainless steel with capacities of 10~40 tons.

Bi-directional flexing capability provides much more precise and accurate measurement.

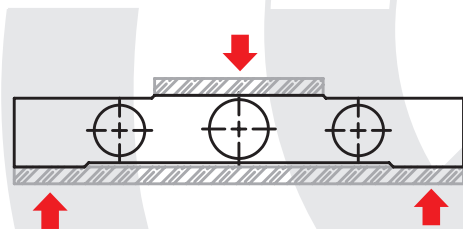
It can also be produced optionally with 0-10 V or 4-20 mA analog outputs.

It offers easy use with mounting kits specially.

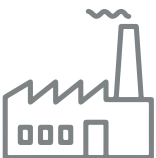
## CONNECTION DIAGRAM



## WORK STYLE



## APPLICATION AREAS



Machinery And Industry



Food



Chemistry - Petrochemistry



Agriculture And Livestock



Concrete Batching Plants And Construction



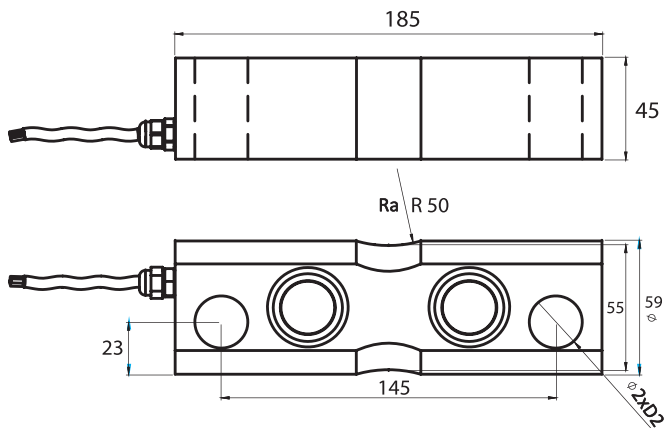
Stone, Sand And Mines

## FEATURES

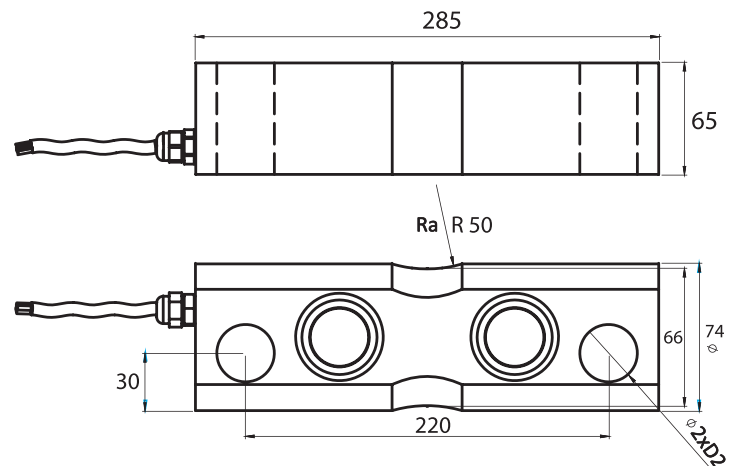
- ✓ IP 68 protection class
- ✓ Plated nickel, steel alloyed
- ✓ Ease of installation

## TECHNICAL DRAWING

### 10 - 15 - 20 Tones



### 30 - 40 Tones



## TECHNICAL SPECIFICATIONS

Capacity	10, 15, 20, 30, 40 Tones
Accury Class	C2
Minimum Load	0 kg
Maximum Intervals (nLC)	2000
Minimum Verification Interval	10000
Total Error	$\pm 0.03 \%FS$
Output Sensitivity (FS)	$2.00 \text{ mV} \pm 0.005\text{mV/V}$
Zero Balance	$\pm 1 \%FS$
Input Resistance	$750 \Omega \pm 20 \Omega$
Output Resistance	$702 \Omega \pm 3 \Omega$
Isolation Resistance	$\leq 5000 \text{ M}\Omega (100\text{VDC})$
Compansated Temperature	$-10 \sim +40 \text{ }^\circ\text{C}$
Operating Temperature	$-30 \sim +70 \text{ }^\circ\text{C}$
Excitation, Recommended Voltage	10 VDC
Maximum Excitation Voltage (Umax)	15 VDC
Safe Overload	150 % FS
Ultimate Overload	300 % FS
Ingress Protection (EN60529)	IP 68
Element Material	Alloyed Steel / Stainless Steel
Cable	$4 \times 0.22 \text{ mm}^2$