



廣鴻精密科技有限公司

Geon Intertec Co., Ltd.

## Ultra Fine Bubble Generator - GB series



<https://geontw.com/>

廣鴻精密科技有限公司

Geon Intertec Co., Ltd.



02-8660-0580



02-8660-0587



[sales@geonintertec.com](mailto:sales@geonintertec.com)

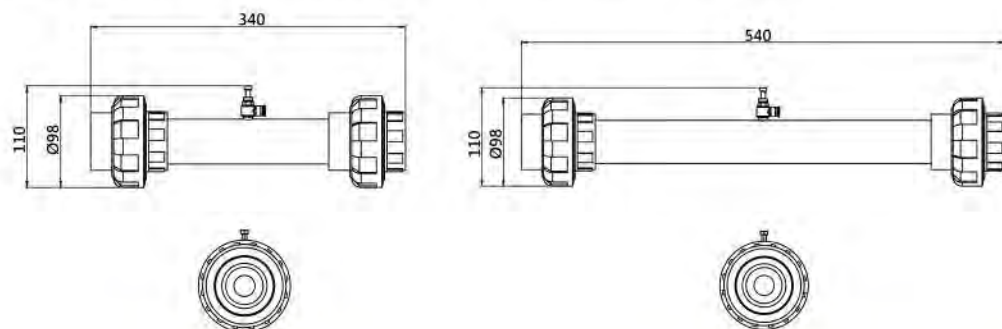




Model#	GB4020P
Air Pressure	30~700kpa
Air flow rate	0.5~2L/min
Air tube size	ø6 mm
Weight	1.1kg
Pipe size	1.5inch thread
Pumping rate	10000~18000L/hr
Applicable water volume	2~4m <sup>3</sup>

Model#	GB4040P
Air Pressure	30~700kpa
Air flow rate	0.5~4L/min
Air tube size	ø6 mm
Weight	1.4kg
Pipe size	1.5inch thread
Pumping rate	10000~18000L/hr
Applicable water volume	3~5m <sup>3</sup>

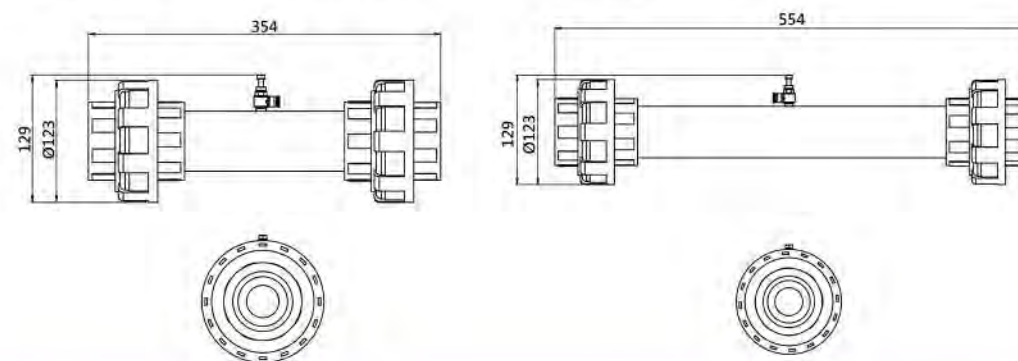
The above parameters may vary depending on the pump and on-site piping conditions. The piping can be optionally equipped with a direct plug-in connector.



Model#	GB5020P
Air Pressure	30~700kpa
Air flow rate	0.6~3L/min
Air tube size	ø6 mm
Weight	1.8kg
Pipe size	2inch thread
Pumping rate	15000~26000L/hr
Applicable water volume	4~10m <sup>3</sup>

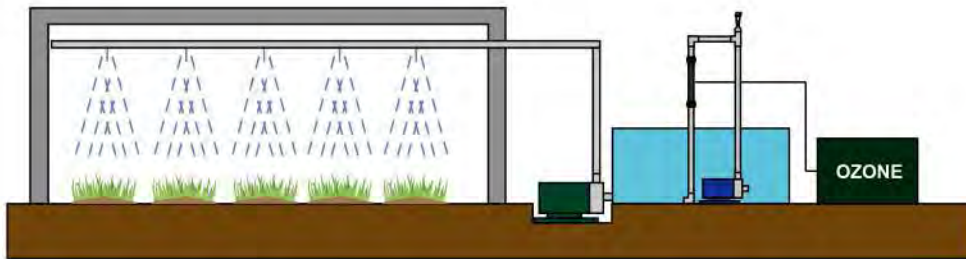
Model#	GB5040P
Air Pressure	30~700kpa
Air flow rate	0.6~5L/min
Air tube size	ø6 mm
Weight	2.3kg
Pipe size	2inch thread
Pumping rate	15000~26000L/hr
Applicable water volume	10~30m <sup>3</sup>

The above parameters may vary depending on the pump and on-site piping conditions. The piping can be optionally equipped with a direct plug-in connector.

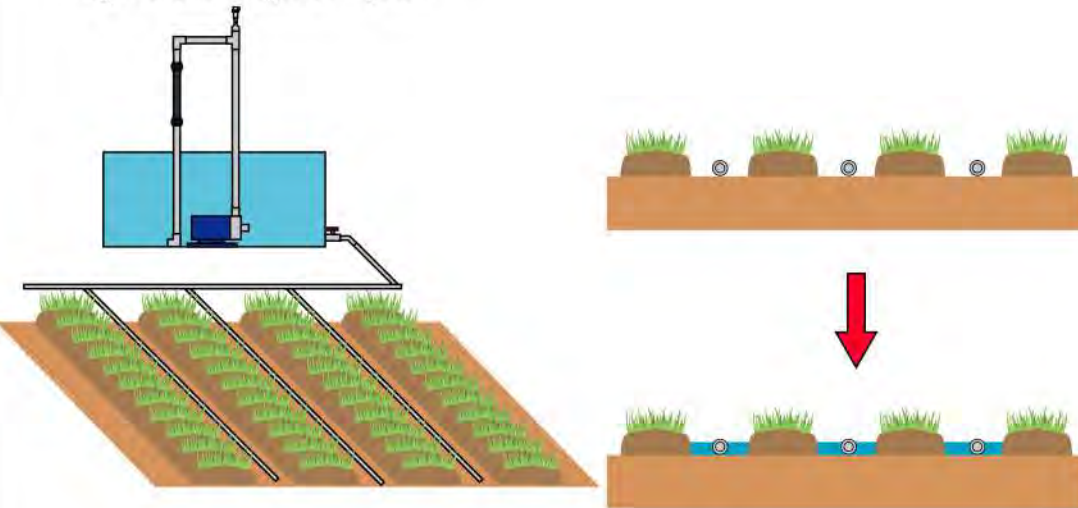


### Scenario

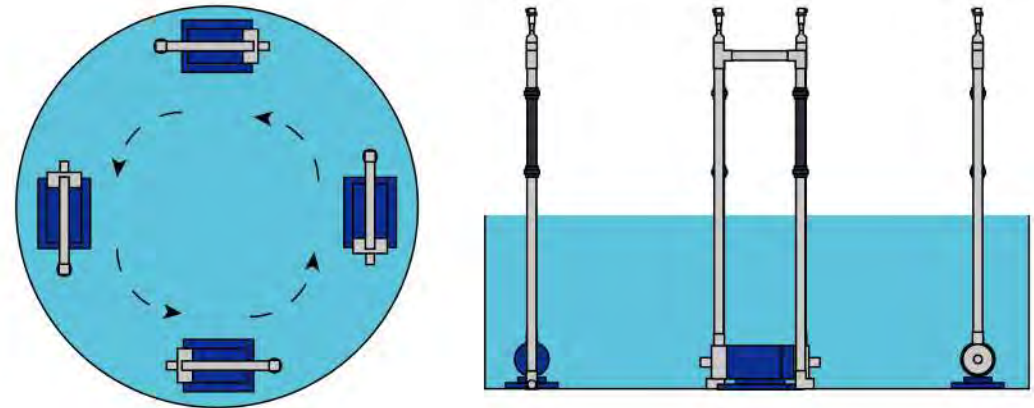
Growth promotion and insect control applications in organic greenhouse farms



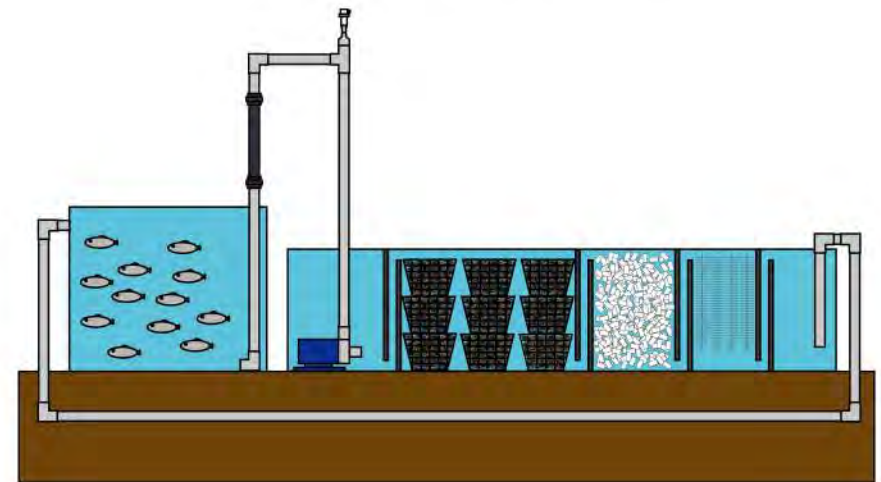
### Agricultural Irrigation System



### Aquacultural Circulation System

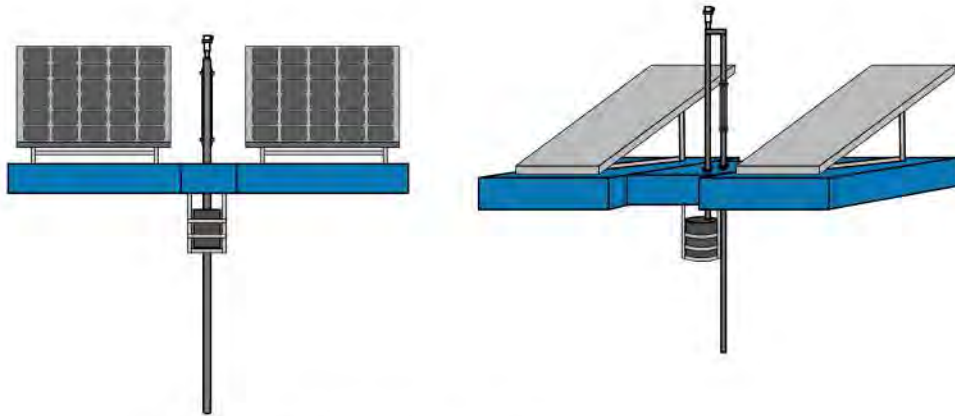


### Fishery filtration circulation system

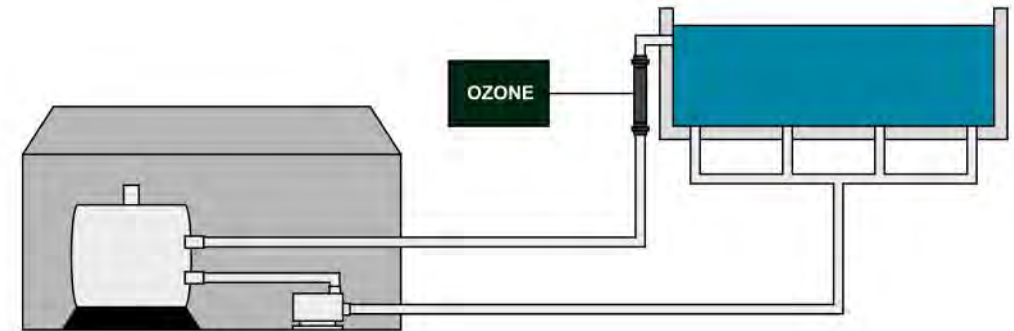


Scenario

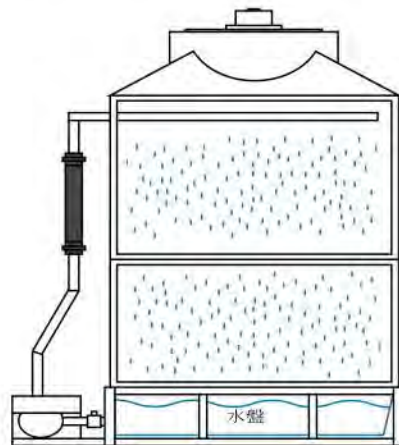
Solar oxygenation floating platform



Swimming pool ozone sterilization system



Water tower cooling



Displacement bubble generation

