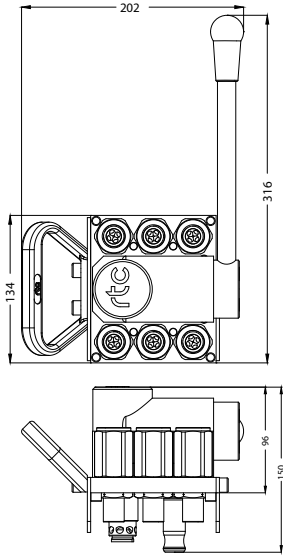
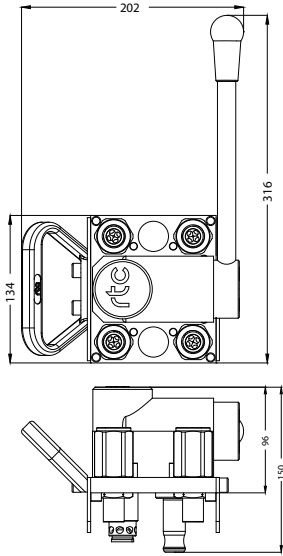
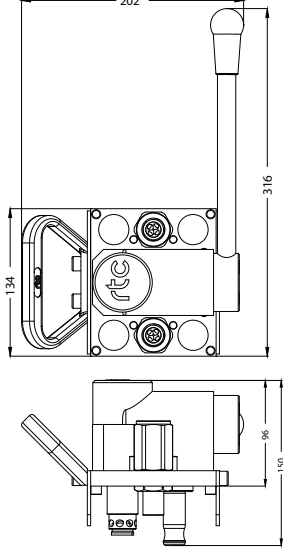


TYPE M 104.10	Mobile side with locking mechanism system / Versorgerseite mit Verriegelungsmechanismus	Item code / Artikelnummer		
<p>3 ↔ 3</p>		<p>Female thread Innengewinde</p>	<p>BSP 3/8 BSP 1/2 UNF 9/16-18 UNF 3/4-16 NPT 3/8 NPT 1/2</p>	<p>M 104.10-06 PFB 17 M 104.10-06 PFB 21 M 104.10-06 PUB 1418 M 104.10-06 PUB 1916 M 104.10-06 PNB 17 M 104.10-06 PNB 21</p>
<p>2 ↔ 2</p>		<p>Female thread Innengewinde</p>	<p>BSP 3/8 BSP 1/2 UNF 9/16-18 UNF 3/4-16 NPT 3/8 NPT 1/2</p>	<p>M 104.10-04 PFB 17 M 104.10-04 PFB 21 M 104.10-04 PUB 1418 M 104.10-04 PUB 1916 M 104.10-04 PNB 17 M 104.10-04 PNB 21</p>
<p>1 ↔ 1</p>		<p>Female thread Innengewinde</p>	<p>BSP 3/8 BSP 1/2 UNF 9/16-18 UNF 3/4-16 NPT 3/8 NPT 1/2</p>	<p>M 104.10-02 PFB 17 M 104.10-02 PFB 21 M 104.10-02 PUB 1418 M 104.10-02 PUB 1916 M 104.10-02 PNB 17 M 104.10-02 PNB 21</p>

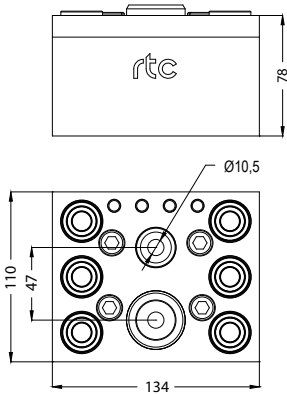

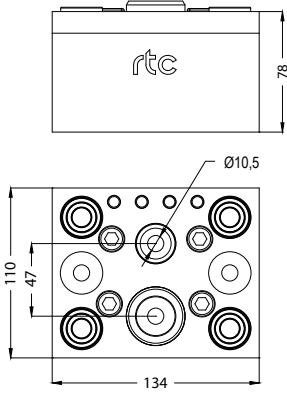

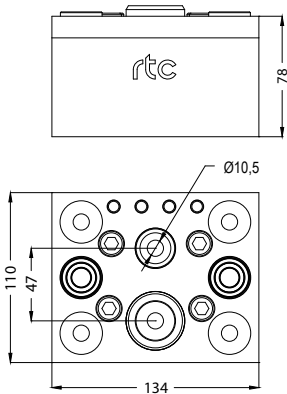



High - Flow

Flow diameter 10 mm / Nennweite 10 mm

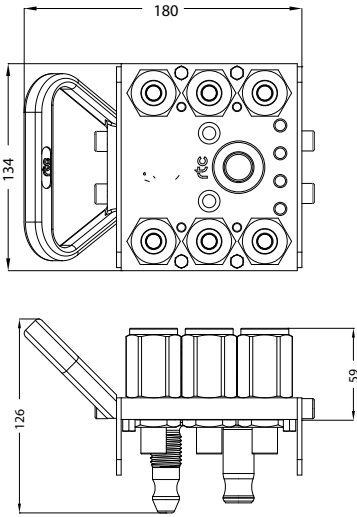

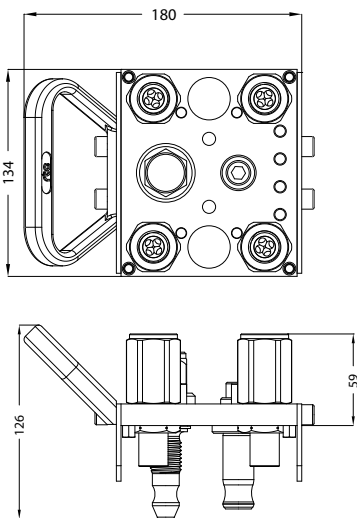

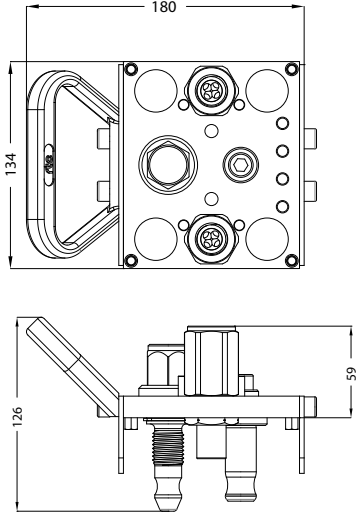

TYPE M 104.10



TYPE K 104.10	Mould side / Abnehmerseite	Item code / Artikelnummer		
<p>3 ↔ 3</p> 		<p>Female thread Innengewinde</p>	<p>BSP 3/8 BSP 1/2 UNF 9/16-18 UNF 3/4-16 NPT 3/8 NPT 1/2</p>	<p>K 104.10-06 SAB 17 K 104.10-06 SAB 21 K 104.10-06 SAB 1418 U K 104.10-06 SAB 1916 U K 104.10-06 SAB 17 N K 104.10-06 SAB 21 N</p>
<p>2 ↔ 2</p> 		<p>Female thread Innengewinde</p>	<p>BSP 3/8 BSP 1/2 UNF 9/16-18 UNF 3/4-16 NPT 3/8 NPT 1/2</p>	<p>K 104.10-04 SAB 17 K 104.10-04 SAB 21 K 104.10-04 SAB 1418 U K 104.10-04 SAB 1916 U K 104.10-04 SAB 17 N K 104.10-04 SAB 21 N</p>
<p>1 ↔ 1</p> 		<p>Female thread Innengewinde</p>	<p>BSP 3/8 BSP 1/2 UNF 9/16-18 UNF 3/4-16 NPT 3/8 NPT 1/2</p>	<p>K 104.10-02 SAB 17 K 104.10-02 SAB 21 K 104.10-02 SAB 1418 U K 104.10-02 SAB 1916 U K 104.10-02 SAB 17 N K 104.10-02 SAB 21 N</p>

rtc TYPE M 104.10

Flow diameter 10 mm / Nennweite 10 mm

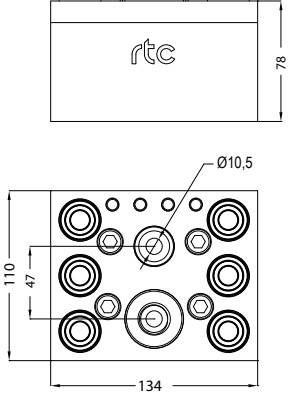
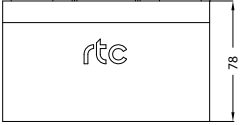

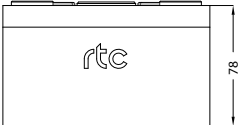
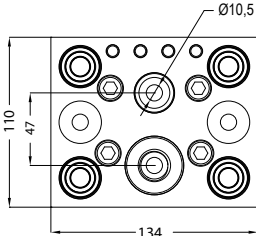

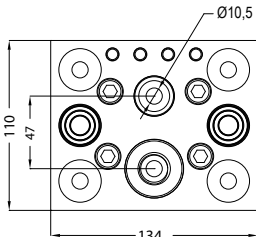
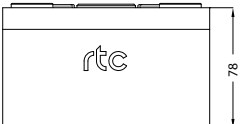

TYPE M 104.10	Mobile side with locking screw / Versorgerseite mit Spindelverschraubung		Item code / Artikelnummer
<p>3 ↔ 3</p> 	<p>Female thread Innengewinde</p>	<p>BSP 3/8 BSP 1/2 UNF 9/16-18 UNF 3/4-16 NPT 3/8 NPT 1/2</p>	<p>M 104.10-06 PFB 17 LP M 104.10-06 PFB 21 LP M 104.10-06 PUB 1418 LP M 104.10-06 PUB 1916 LP M 104.10-06 PNB 17 LP M 104.10-06 PNB 21 LP</p> 
<p>2 ↔ 2</p> 	<p>Female thread Innengewinde</p>	<p>BSP 3/8 BSP 1/2 UNF 9/16-18 UNF 3/4-16 NPT 3/8 NPT 1/2</p>	<p>M 104.10-04 PFB 17 LP M 104.10-04 PFB 21 LP M 104.10-04 PUB 1418 LP M 104.10-04 PUB 1916 LP M 104.10-04 PNB 17 LP M 104.10-04 PNB 21 LP</p> 
<p>1 ↔ 1</p> 	<p>Female thread Innengewinde</p>	<p>BSP 3/8 BSP 1/2 UNF 9/16-18 UNF 3/4-16 NPT 3/8 NPT 1/2</p>	<p>M 104.10-02 PFB 17 LP M 104.10-02 PFB 21 LP M 104.10-02 PUB 1418 LP M 104.10-02 PUB 1916 LP M 104.10-02 PNB 17 LP M 104.10-02 PNB 21 LP</p> 

High - Flow

Flow diameter 10 mm / Nennweite 10 mm

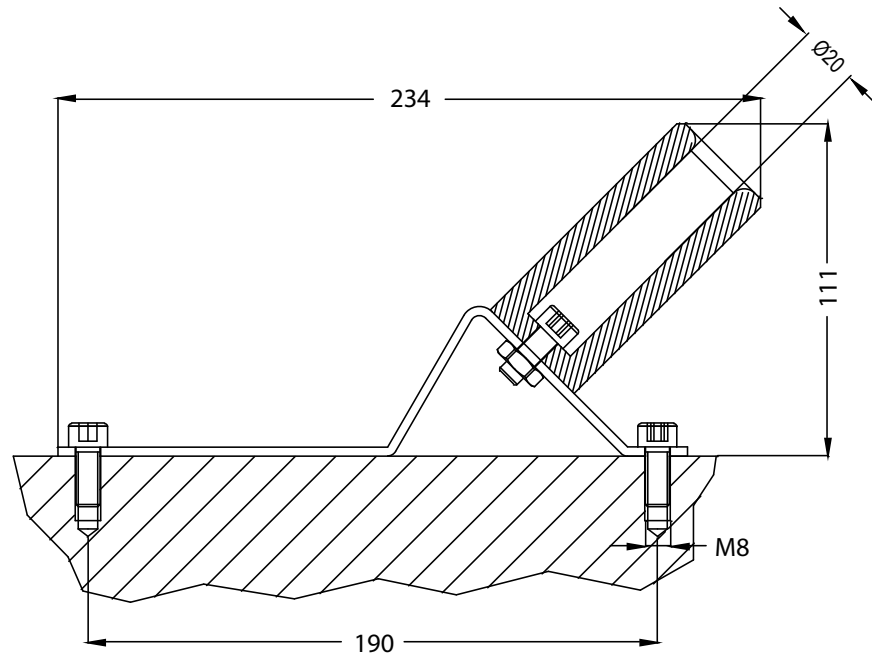
TYPE M 104.10



TYPE K 104.10	Mould side with locking nut / Abnehmerseite mit Schraubbuchse		Item code / Artikelnummer
<p>3 ↔ 3</p> 		<p>Female thread Innengewinde</p>	<p>BSP 3/8 BSP 1/2 UNF 9/16-18 UNF 3/4-16 NPT 3/8 NPT 1/2</p> <p>K 104.10-06 SAB 17 LN K 104.10-06 SAB 21 LN K 104.10-06 SAB 1418 U LN K 104.10-06 SAB 1916 U LN K 104.10-06 SAB 17 N LN K 104.10-06 SAB 21 N LN</p> 
	 	<p>Female thread Innengewinde</p>	<p>BSP 3/8 BSP 1/2 UNF 9/16-18 UNF 3/4-16 NPT 3/8 NPT 1/2</p> <p>K 104.10-04 SAB 17 LN K 104.10-04 SAB 21 LN K 104.10-04 SAB 1418 U LN K 104.10-04 SAB 1916 U LN K 104.10-04 SAB 17 N LN K 104.10-04 SAB 21 N LN</p> 
<p>1 ↔ 1</p> 		<p>Female thread Innengewinde</p>	<p>BSP 3/8 BSP 1/2 UNF 9/16-18 UNF 3/4-16 NPT 3/8 NPT 1/2</p> <p>K 104.10-02 SAB 17 LN K 104.10-02 SAB 21 LN K 104.10-02 SAB 1418 U LN K 104.10-02 SAB 1916 U LN K 104.10-02 SAB 17 N LN K 104.10-02 SAB 21 N LN</p> 

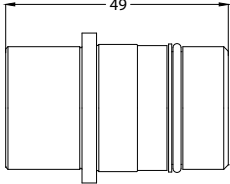

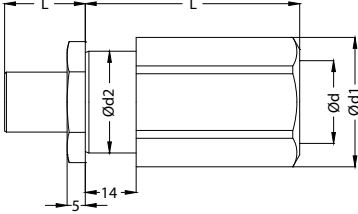

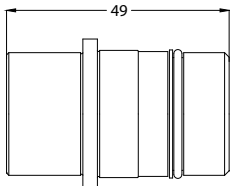

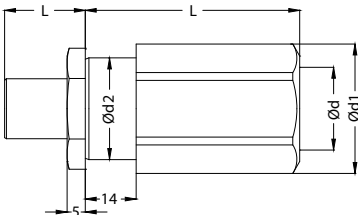
**rtc** TYPE M 104

TYPE M 104	Parking plate / Parkplatte	Item code / Artikelnummer		
	<table border="1"> <tr> <td data-bbox="842 331 1027 398">For mobile side Für Versorgerseiten</td> <td data-bbox="1027 331 1294 398">For M 104.08 / M 104.10 Für M 104.08 / M 104.10</td> </tr> </table>	For mobile side Für Versorgerseiten	For M 104.08 / M 104.10 Für M 104.08 / M 104.10	M 104.08-06 PP
For mobile side Für Versorgerseiten	For M 104.08 / M 104.10 Für M 104.08 / M 104.10			



TYPE M 104	Parking plate / Parkplatte
------------	----------------------------



TYPE M 104.08	Socket / Kupplung			Item code / Artikelnummer
		Assembling socket Kupplung für den Einbau	Ø8 mm	104.08 SAB 00 MP
				
TYPE M 104.08	Plug / Nippel			
		Female thread Innengewinde	BSP 3/8 BSP 1/2 UNF 9/16-18 UNF 3/4-16 NPT 3/8 NPT 1/2	104.08 PFB 17 MP 104.08 PFB 21 MP 104.08 PUB 1418 MP 104.08 PUB 1916 MP 104.08 PNB 17 MP 104.08 PNB 21 MP
				
TYPE M 104.10	Socket / Kupplung	High - Flow		
		Assembling socket Kupplung für den Einbau	Ø10 mm	104.10 SAB 00 MP
				
TYPE M 104.10	Plug / Nippel	High - Flow		
		Female thread Innengewinde	BSP 3/8 BSP 1/2 UNF 9/16-18 UNF 3/4-16 NPT 3/8 NPT 1/2	104.10 PFB 17 MP 104.10 PFB 21 MP 104.10 PUB 1418 MP 104.10 PUB 1916 MP 104.10 PNB 17 MP 104.10 PNB 21 MP
		