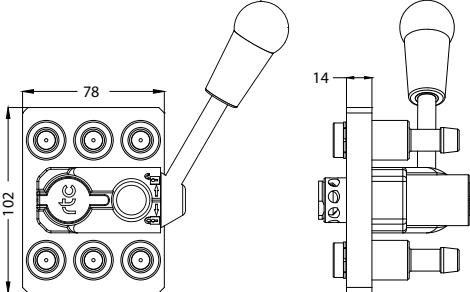

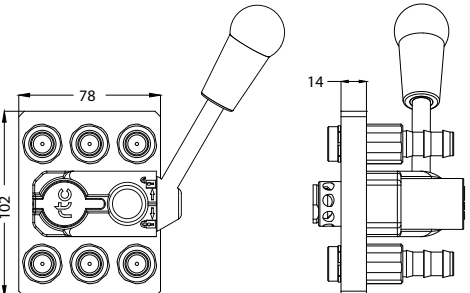

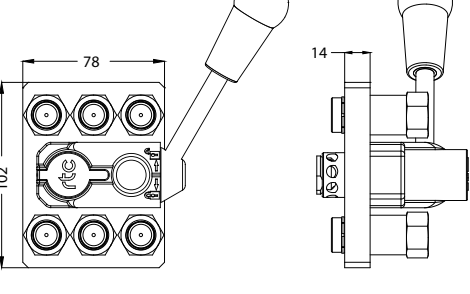

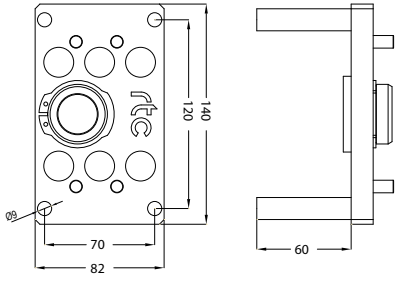
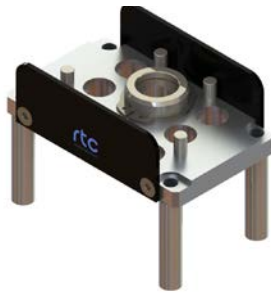
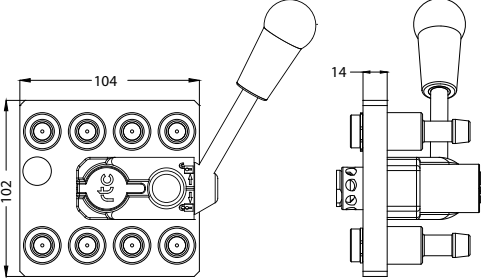
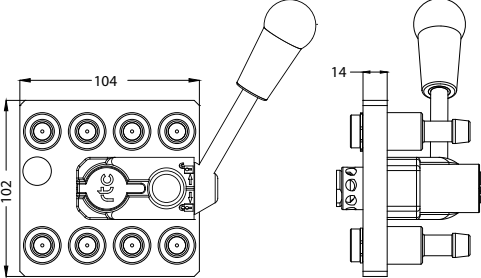
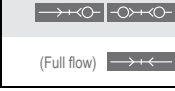

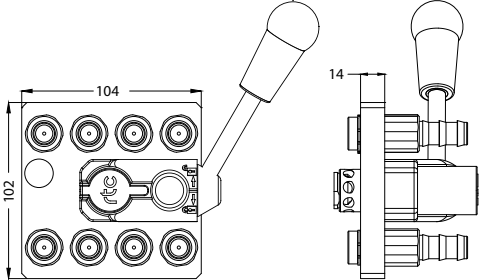
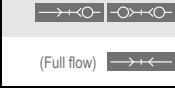

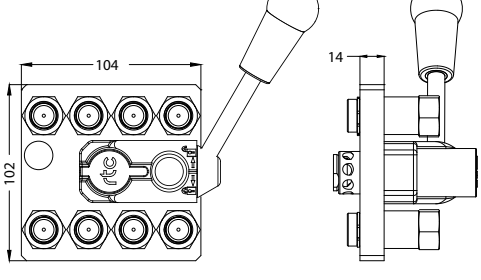
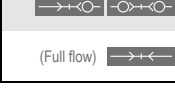

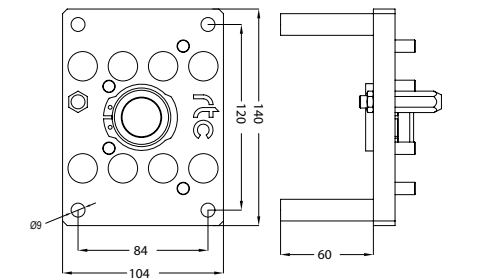

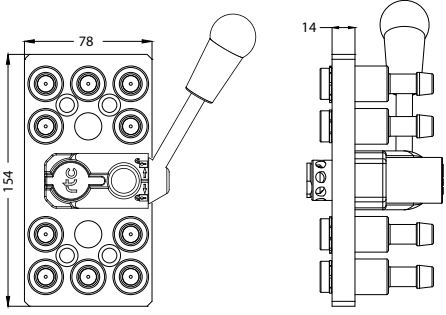
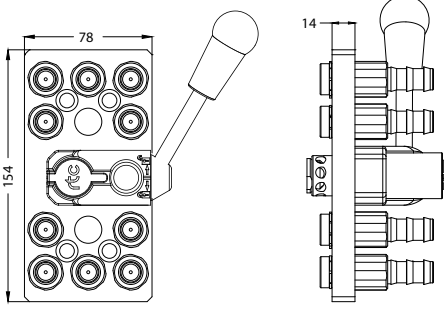
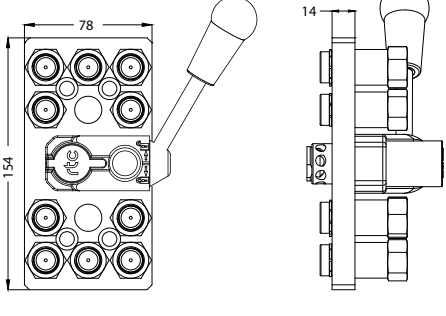
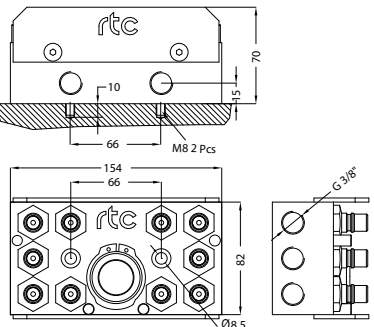


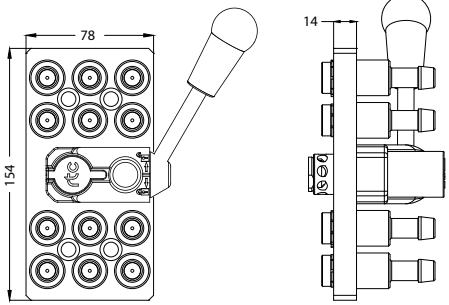
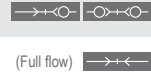

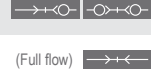

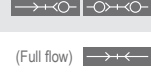



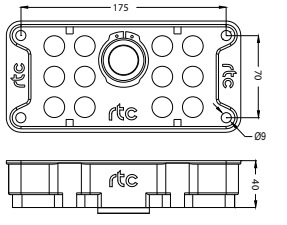

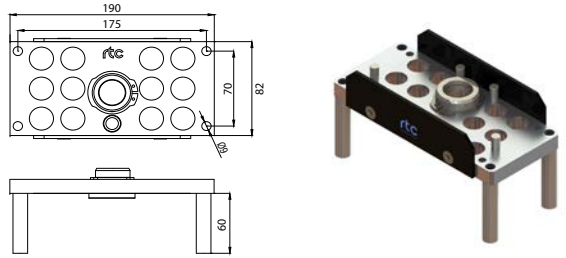

TYPE M 101.09	Mobile side / Versorgerseite	Item code / Artikelnummer												
<p>3 ↔ 3</p> 	<p>Standard hose Schlauchanschluss</p> <table border="0"> <tr> <td></td> <td>Ø10</td> <td>M 101.09-06 SHB 10</td> </tr> <tr> <td></td> <td>Ø12</td> <td>M 101.09-06 SHB 12</td> </tr> <tr> <td>(Full flow) </td> <td>Ø10</td> <td>M 101.09-06 SHF 10</td> </tr> <tr> <td></td> <td>Ø12</td> <td>M 101.09-06 SHF 12</td> </tr> </table> 		Ø10	M 101.09-06 SHB 10		Ø12	M 101.09-06 SHB 12	(Full flow)	Ø10	M 101.09-06 SHF 10		Ø12	M 101.09-06 SHF 12	
	Ø10	M 101.09-06 SHB 10												
	Ø12	M 101.09-06 SHB 12												
(Full flow)	Ø10	M 101.09-06 SHF 10												
	Ø12	M 101.09-06 SHF 12												
<p>3 ↔ 3</p> 	<p>Push to connect Steckschlauchanschluss</p> <table border="0"> <tr> <td></td> <td>Ø10</td> <td>M 101.09-06 SPB 10</td> </tr> <tr> <td></td> <td>Ø13</td> <td>M 101.09-06 SPB 13</td> </tr> <tr> <td>(Full flow) </td> <td>Ø10</td> <td>M 101.09-06 SPF 10</td> </tr> <tr> <td></td> <td>Ø13</td> <td>M 101.09-06 SPF 13</td> </tr> </table> 		Ø10	M 101.09-06 SPB 10		Ø13	M 101.09-06 SPB 13	(Full flow)	Ø10	M 101.09-06 SPF 10		Ø13	M 101.09-06 SPF 13	
	Ø10	M 101.09-06 SPB 10												
	Ø13	M 101.09-06 SPB 13												
(Full flow)	Ø10	M 101.09-06 SPF 10												
	Ø13	M 101.09-06 SPF 13												
<p>3 ↔ 3</p> 	<p>Female thread Innengewinde</p> <table border="0"> <tr> <td></td> <td>BSP 3/8</td> <td>M 101.09-06 SFB 17</td> </tr> <tr> <td></td> <td>NPT 3/8</td> <td>M 101.09-06 SNB 17</td> </tr> <tr> <td>(Full flow) </td> <td>BSP 3/8</td> <td>M 101.09-06 SFF 17</td> </tr> <tr> <td></td> <td>NPT 3/8</td> <td>M 101.09-06 SNF 17</td> </tr> </table> 		BSP 3/8	M 101.09-06 SFB 17		NPT 3/8	M 101.09-06 SNB 17	(Full flow)	BSP 3/8	M 101.09-06 SFF 17		NPT 3/8	M 101.09-06 SNF 17	
	BSP 3/8	M 101.09-06 SFB 17												
	NPT 3/8	M 101.09-06 SNB 17												
(Full flow)	BSP 3/8	M 101.09-06 SFF 17												
	NPT 3/8	M 101.09-06 SNF 17												
TYPE K 101.09	Mould side / Abnehmerseite	Item code / Artikelnummer												
<p>3 ↔ 3</p> 	<p>Plate for 6 lines / Platte für 6 Anschlüsse</p> 	<p>K 101.09-06</p>												

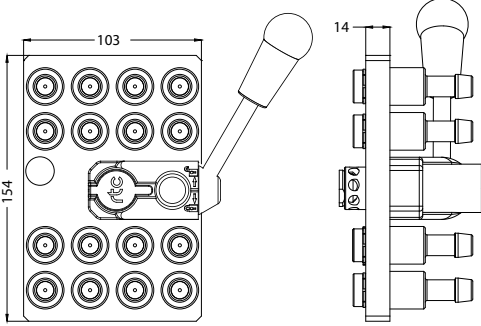
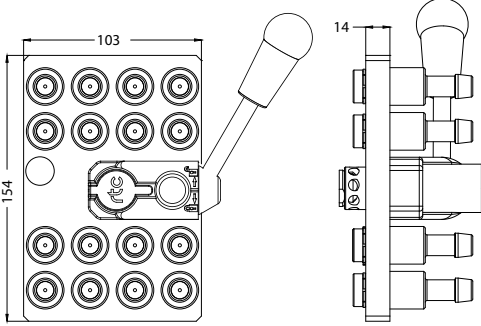

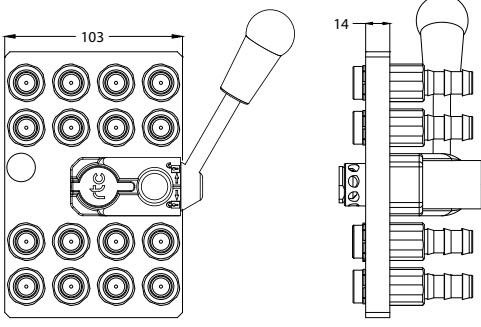

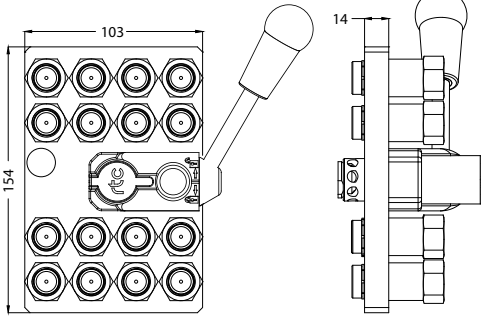

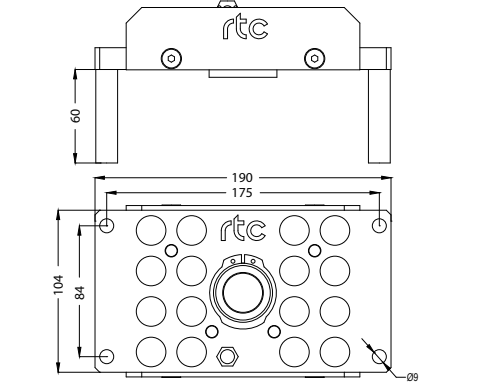

Flow diameter 9 mm / Nennweite 9 mm

TYPE M 101.09 **rtc**

TYPE M 101.09	Mobile side / Versorgerseite		Item code / Artikelnummer								
<p>4 ↔ 4</p> 	<p>Standard hose Schlauchanschluss</p> 		<table border="1"> <tr><td>Ø10</td><td>M 101.09-08 SHB 10</td></tr> <tr><td>Ø12</td><td>M 101.09-08 SHB 12</td></tr> <tr><td>Ø10 (Full flow)</td><td>M 101.09-08 SHF 10</td></tr> <tr><td>Ø12</td><td>M 101.09-08 SHF 12</td></tr> </table> 	Ø10	M 101.09-08 SHB 10	Ø12	M 101.09-08 SHB 12	Ø10 (Full flow)	M 101.09-08 SHF 10	Ø12	M 101.09-08 SHF 12
	Ø10	M 101.09-08 SHB 10									
	Ø12	M 101.09-08 SHB 12									
Ø10 (Full flow)	M 101.09-08 SHF 10										
Ø12	M 101.09-08 SHF 12										
<p>Push to connect Steckschlauchanschluss</p> 		<table border="1"> <tr><td>Ø10</td><td>M 101.09-08 SPB 10</td></tr> <tr><td>Ø13</td><td>M 101.09-08 SPB 13</td></tr> <tr><td>Ø10 (Full flow)</td><td>M 101.09-08 SPF 10</td></tr> <tr><td>Ø13</td><td>M 101.09-08 SPF 13</td></tr> </table> 	Ø10	M 101.09-08 SPB 10	Ø13	M 101.09-08 SPB 13	Ø10 (Full flow)	M 101.09-08 SPF 10	Ø13	M 101.09-08 SPF 13	
Ø10	M 101.09-08 SPB 10										
Ø13	M 101.09-08 SPB 13										
Ø10 (Full flow)	M 101.09-08 SPF 10										
Ø13	M 101.09-08 SPF 13										
<p>Female thread Innengewinde</p> 		<table border="1"> <tr><td>BSP 3/8</td><td>M 101.09-08 SFB 17</td></tr> <tr><td>NPT 3/8</td><td>M 101.09-08 SNB 17</td></tr> <tr><td>BSP 3/8 (Full flow)</td><td>M 101.09-08 SFF 17</td></tr> <tr><td>NPT 3/8</td><td>M 101.09-08 SNF 17</td></tr> </table> 	BSP 3/8	M 101.09-08 SFB 17	NPT 3/8	M 101.09-08 SNB 17	BSP 3/8 (Full flow)	M 101.09-08 SFF 17	NPT 3/8	M 101.09-08 SNF 17	
BSP 3/8	M 101.09-08 SFB 17										
NPT 3/8	M 101.09-08 SNB 17										
BSP 3/8 (Full flow)	M 101.09-08 SFF 17										
NPT 3/8	M 101.09-08 SNF 17										
TYPE K 101.09	Mould side / Abnehmerseite		Item code / Artikelnummer								
<p>4 ↔ 4</p> 	<p>Plate for 8 lines / Platte für 8 Anschlüsse</p> 		<p>K 101.09-08</p>								

TYPE M 101.09	Mobile side / Versorgerseite	Item code / Artikelnummer												
<p>5 ↔ 5</p> 	<p>Standard hose Schlauchanschluss</p> <table border="1" data-bbox="997 331 1273 436"> <tr> <td></td> <td>Ø10</td> <td>M 101.09-10 SHB 10</td> </tr> <tr> <td></td> <td>Ø12</td> <td>M 101.09-10 SHB 12</td> </tr> <tr> <td>(Full flow) </td> <td>Ø10</td> <td>M 101.09-10 SHF 10</td> </tr> <tr> <td></td> <td>Ø12</td> <td>M 101.09-10 SHF 12</td> </tr> </table>		Ø10	M 101.09-10 SHB 10		Ø12	M 101.09-10 SHB 12	(Full flow)	Ø10	M 101.09-10 SHF 10		Ø12	M 101.09-10 SHF 12	
	Ø10	M 101.09-10 SHB 10												
	Ø12	M 101.09-10 SHB 12												
(Full flow)	Ø10	M 101.09-10 SHF 10												
	Ø12	M 101.09-10 SHF 12												
<p>5 ↔ 5</p> 	<p>Push to connect Steckschlauchanschluss</p> <table border="1" data-bbox="997 790 1273 896"> <tr> <td></td> <td>Ø10</td> <td>M 101.09-10 SPB 10</td> </tr> <tr> <td></td> <td>Ø13</td> <td>M 101.09-10 SPB 13</td> </tr> <tr> <td>(Full flow) </td> <td>Ø10</td> <td>M 101.09-10 SPF 10</td> </tr> <tr> <td></td> <td>Ø13</td> <td>M 101.09-10 SPF 13</td> </tr> </table>		Ø10	M 101.09-10 SPB 10		Ø13	M 101.09-10 SPB 13	(Full flow)	Ø10	M 101.09-10 SPF 10		Ø13	M 101.09-10 SPF 13	
	Ø10	M 101.09-10 SPB 10												
	Ø13	M 101.09-10 SPB 13												
(Full flow)	Ø10	M 101.09-10 SPF 10												
	Ø13	M 101.09-10 SPF 13												
<p>5 ↔ 5</p> 	<p>Female thread Innengewinde</p> <table border="1" data-bbox="997 1249 1273 1355"> <tr> <td></td> <td>BSP 3/8</td> <td>M 101.09-10 SFB 17</td> </tr> <tr> <td></td> <td>NPT 3/8</td> <td>M 101.09-10 SNB 17</td> </tr> <tr> <td>(Full flow) </td> <td>BSP 3/8</td> <td>M 101.09-10 SFF 17</td> </tr> <tr> <td></td> <td>NPT 3/8</td> <td>M 101.09-10 SNF 17</td> </tr> </table>		BSP 3/8	M 101.09-10 SFB 17		NPT 3/8	M 101.09-10 SNB 17	(Full flow)	BSP 3/8	M 101.09-10 SFF 17		NPT 3/8	M 101.09-10 SNF 17	
	BSP 3/8	M 101.09-10 SFB 17												
	NPT 3/8	M 101.09-10 SNB 17												
(Full flow)	BSP 3/8	M 101.09-10 SFF 17												
	NPT 3/8	M 101.09-10 SNF 17												
TYPE K 101.09	Mould side / Abnehmerseite	Item code / Artikelnummer												
<p>5 ↔ 5</p> 	<p>Plate with 10 plugs Platte mit 10 Anschlüsse</p> <table border="1" data-bbox="997 1760 1273 1825"> <tr> <td></td> <td>BSP 3/8</td> <td>K 101.09-10 PMB 17</td> </tr> <tr> <td>(Full flow) </td> <td>BSP 3/8</td> <td>K 101.09-10 PMF 17</td> </tr> </table>		BSP 3/8	K 101.09-10 PMB 17	(Full flow)	BSP 3/8	K 101.09-10 PMF 17							
	BSP 3/8	K 101.09-10 PMB 17												
(Full flow)	BSP 3/8	K 101.09-10 PMF 17												

TYPE M 101.09	Mobile side / Versorgerseite		Item code / Artikelnummer
<p>6 ↔ 6</p> 	<p>Standard hose Schlauchanschluss</p> 	<p>Ø10 Ø12 Ø10 Ø12</p>	<p>M 101.09-12 SHB 10 M 101.09-12 SHB 12 M 101.09-12 SHF 10 M 101.09-12 SHF 12</p> 
	<p>Push to connect Steckschlauchanschluss</p> 	<p>Ø10 Ø13 Ø10 Ø13</p>	<p>M 101.09-12 SPB 10 M 101.09-12 SPB 13 M 101.09-12 SPF 10 M 101.09-12 SPF 13</p> 
	<p>Female thread Innengewinde</p> 	<p>BSP 3/8 NPT 3/8 BSP 3/8 NPT 3/8</p>	<p>M 101.09-12 SFB 17 M 101.09-12 SNB 17 M 101.09-12 SFF 17 M 101.09-12 SNF 17</p> 
	<p>Female thread collector Innengewinde Sammler</p> 	<p>BSP 1 NPT 1</p>	<p>M 101.09-12 C 33 M 101.09-12 CN 33</p> 
<p>TYPE K 101.09</p> <p>6 ↔ 6</p>	<p>Mould side / Abnehmerseite</p>		<p>Item code / Artikelnummer</p>
	<p>K 101.09-12 AD</p>	<p>Plate for 12 lines / Platte mit 12 Anschlüsse</p>	<p>K 101.09-12</p>
			

TYPE M 101.09	Mobile side / Versorgerseite	Item code / Artikelnummer												
<p>8 ↔ 8</p> 	<p>Standard hose Schlauchanschluss</p> 	<table border="1"> <tr> <td></td> <td>Ø10</td> <td>M 101.09-16 SHB 10</td> </tr> <tr> <td></td> <td>Ø12</td> <td>M 101.09-16 SHB 12</td> </tr> <tr> <td>(Full flow) </td> <td>Ø10</td> <td>M 101.09-16 SHF 10</td> </tr> <tr> <td></td> <td>Ø12</td> <td>M 101.09-16 SHF 12</td> </tr> </table> 		Ø10	M 101.09-16 SHB 10		Ø12	M 101.09-16 SHB 12	(Full flow)	Ø10	M 101.09-16 SHF 10		Ø12	M 101.09-16 SHF 12
		Ø10	M 101.09-16 SHB 10											
		Ø12	M 101.09-16 SHB 12											
(Full flow)	Ø10	M 101.09-16 SHF 10												
	Ø12	M 101.09-16 SHF 12												
<p>Push to connect Steckschlauchanschluss</p> 	<table border="1"> <tr> <td></td> <td>Ø10</td> <td>M 101.09-16 SPB 10</td> </tr> <tr> <td></td> <td>Ø13</td> <td>M 101.09-16 SPB 13</td> </tr> <tr> <td>(Full flow) </td> <td>Ø10</td> <td>M 101.09-16 SPF 10</td> </tr> <tr> <td></td> <td>Ø13</td> <td>M 101.09-16 SPF 13</td> </tr> </table> 		Ø10	M 101.09-16 SPB 10		Ø13	M 101.09-16 SPB 13	(Full flow)	Ø10	M 101.09-16 SPF 10		Ø13	M 101.09-16 SPF 13	
	Ø10	M 101.09-16 SPB 10												
	Ø13	M 101.09-16 SPB 13												
(Full flow)	Ø10	M 101.09-16 SPF 10												
	Ø13	M 101.09-16 SPF 13												
<p>Female thread Innengewinde</p> 	<table border="1"> <tr> <td></td> <td>BSP 3/8</td> <td>M 101.09-16 SFB 17</td> </tr> <tr> <td></td> <td>NPT 3/8</td> <td>M 101.09-16 SNB 17</td> </tr> <tr> <td>(Full flow) </td> <td>BSP 3/8</td> <td>M 101.09-16 SFF 17</td> </tr> <tr> <td></td> <td>NPT 3/8</td> <td>M 101.09-16 SNF 17</td> </tr> </table> 		BSP 3/8	M 101.09-16 SFB 17		NPT 3/8	M 101.09-16 SNB 17	(Full flow)	BSP 3/8	M 101.09-16 SFF 17		NPT 3/8	M 101.09-16 SNF 17	
	BSP 3/8	M 101.09-16 SFB 17												
	NPT 3/8	M 101.09-16 SNB 17												
(Full flow)	BSP 3/8	M 101.09-16 SFF 17												
	NPT 3/8	M 101.09-16 SNF 17												
<p>8 ↔ 8</p> 	<p>Plate for 16 lines / Platte für 16 Anschlüsse</p> 	<p>Item code / Artikelnummer</p> <p>K 101.09-16</p>												

TYPE M 101.09	Mobile side / Versorgerseite	Item code / Artikelnummer																
<p>10 ↔ 10</p>	<p>Standard hose Schlauchanschluss</p>	<table border="1"> <tr> <td>→+○←</td> <td>○+○←</td> <td>Ø10</td> <td>M 101.09-20 SHB 10</td> </tr> <tr> <td></td> <td></td> <td>Ø12</td> <td>M 101.09-20 SHB 12</td> </tr> <tr> <td>(Full flow) →+←</td> <td></td> <td>Ø10</td> <td>M 101.09-20 SHF 10</td> </tr> <tr> <td></td> <td></td> <td>Ø12</td> <td>M 101.09-20 SHF 12</td> </tr> </table>	→+○←	○+○←	Ø10	M 101.09-20 SHB 10			Ø12	M 101.09-20 SHB 12	(Full flow) →+←		Ø10	M 101.09-20 SHF 10			Ø12	M 101.09-20 SHF 12
	→+○←	○+○←	Ø10	M 101.09-20 SHB 10														
			Ø12	M 101.09-20 SHB 12														
	(Full flow) →+←		Ø10	M 101.09-20 SHF 10														
		Ø12	M 101.09-20 SHF 12															
<p>Push to connect Steckschlauchanschluss</p>	<table border="1"> <tr> <td>→+○←</td> <td>○+○←</td> <td>Ø10</td> <td>M 101.09-20 SPB 10</td> </tr> <tr> <td></td> <td></td> <td>Ø13</td> <td>M 101.09-20 SPB 13</td> </tr> <tr> <td>(Full flow) →+←</td> <td></td> <td>Ø10</td> <td>M 101.09-20 SPF 10</td> </tr> <tr> <td></td> <td></td> <td>Ø13</td> <td>M 101.09-20 SPF 13</td> </tr> </table>	→+○←	○+○←	Ø10	M 101.09-20 SPB 10			Ø13	M 101.09-20 SPB 13	(Full flow) →+←		Ø10	M 101.09-20 SPF 10			Ø13	M 101.09-20 SPF 13	
→+○←	○+○←	Ø10	M 101.09-20 SPB 10															
		Ø13	M 101.09-20 SPB 13															
(Full flow) →+←		Ø10	M 101.09-20 SPF 10															
		Ø13	M 101.09-20 SPF 13															
<p>Female thread Innengewinde</p>	<table border="1"> <tr> <td>→+○←</td> <td>○+○←</td> <td>BSP 3/8</td> <td>M 101.09-20 SFB 17</td> </tr> <tr> <td></td> <td></td> <td>NPT 3/8</td> <td>M 101.09-20 SNB 17</td> </tr> <tr> <td>(Full flow) →+←</td> <td></td> <td>BSP 3/8</td> <td>M 101.09-20 SFF 17</td> </tr> <tr> <td></td> <td></td> <td>NPT 3/8</td> <td>M 101.09-20 SNF 17</td> </tr> </table>	→+○←	○+○←	BSP 3/8	M 101.09-20 SFB 17			NPT 3/8	M 101.09-20 SNB 17	(Full flow) →+←		BSP 3/8	M 101.09-20 SFF 17			NPT 3/8	M 101.09-20 SNF 17	
→+○←	○+○←	BSP 3/8	M 101.09-20 SFB 17															
		NPT 3/8	M 101.09-20 SNB 17															
(Full flow) →+←		BSP 3/8	M 101.09-20 SFF 17															
		NPT 3/8	M 101.09-20 SNF 17															
<p>Female thread collector Innengewinde Sammler</p>	<table border="1"> <tr> <td>→+○←</td> <td>○+○←</td> <td>BSP 1.1/4</td> <td>M 101.09-20 C 42</td> </tr> <tr> <td></td> <td></td> <td>NPT 1.1/4</td> <td>M 101.09-20 CN 42</td> </tr> </table>	→+○←	○+○←	BSP 1.1/4	M 101.09-20 C 42			NPT 1.1/4	M 101.09-20 CN 42									
→+○←	○+○←	BSP 1.1/4	M 101.09-20 C 42															
		NPT 1.1/4	M 101.09-20 CN 42															
<p>TYPE K 101.09</p> <p>10 ↔ 10</p>	<p>Mould side / Abnehmerseite</p>	<p>Plate for 20 lines / Platte für 20 Anschlüsse</p> <p>Item code / Artikelnummer: K 101.09-20</p>																