

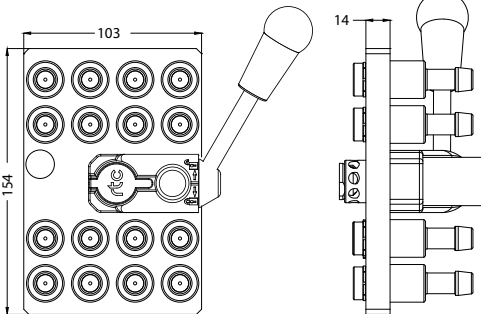

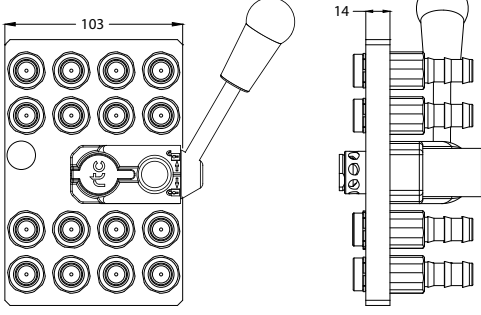

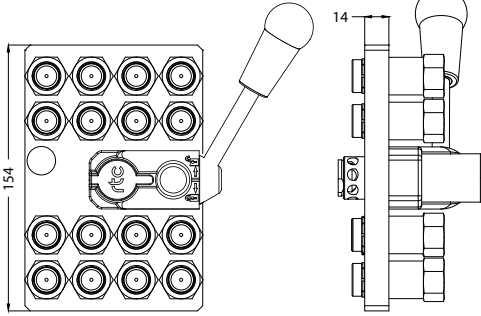

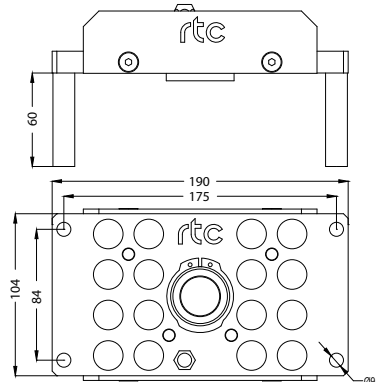

Flow diameter 9 mm / Nennweite 9 mm

TYPE M 090.09 **rtc**

TYPE M 090.09	Mobile side / Versorgerseite		Item code / Artikelnummer	
<p>6 ↔ 6</p>		<p>Standard hose Schlauchanschluss</p>	<p>Ø10 Ø12 Ø10 Ø12</p> <p>M 090.09-12 SHB 10 M 090.09-12 SHB 12 M 090.09-12 SHF 10 M 090.09-12 SHF 12</p>	
		<p>Push to connect Steckschlauchanschluss</p>	<p>Ø10 Ø13 Ø10 Ø13</p> <p>M 090.09-12 SPB 10 M 090.09-12 SPB 13 M 090.09-12 SPF 10 M 090.09-12 SPF 13</p>	
		<p>Female thread Innengewinde</p>	<p>BSP 3/8 NPT 3/8 BSP 3/8 NPT 3/8</p> <p>M 090.09-12 SFB 17 M 090.09-12 SNB 17 M 090.09-12 SFF 17 M 090.09-12 SNF 17</p>	
		<p>Female thread collector Innengewinde Sammler</p>	<p>BSP 1 NPT 1</p> <p>M 090.09-12 C 33 M 090.09-12 CN 33</p>	
	<p>TYPE K 090.09</p> <p>6 ↔ 6</p>	<p>Mould side / Abnehmerseite</p>		<p>Item code / Artikelnummer</p>
	<p>K 090.09-12 AD</p>	<p>Plate for 12 lines / Platte mit 12 Anschlüsse</p>	<p>K 090.09-12</p>	

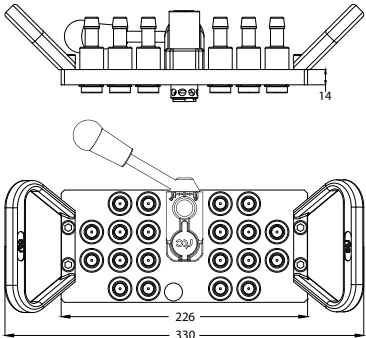

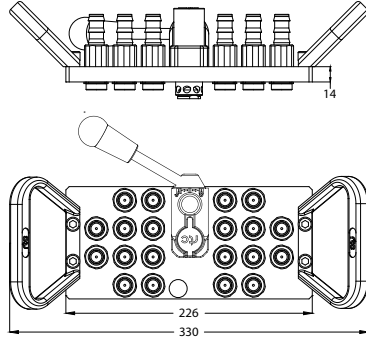

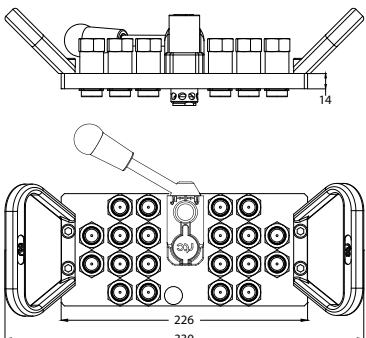

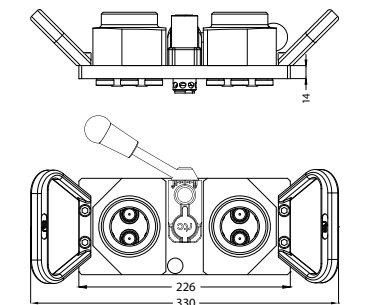

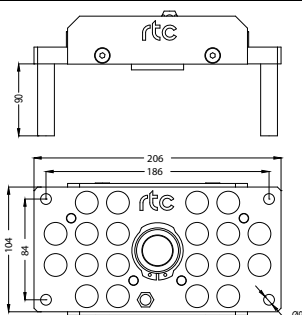

rtc TYPE M 090.09

Flow diameter 9 mm / Nennweite 9 mm

TYPE M 090.09	Mobile side / Versorgerseite	Item code / Artikelnummer												
<p>8 ← → 8</p>	<p>Standard hose Schlauchanschluss</p> 	<table border="1"> <tr> <td>→→○←←</td> <td>Ø10</td> <td>M 090.09-16 SHB 10</td> </tr> <tr> <td>→→○←←</td> <td>Ø12</td> <td>M 090.09-16 SHB 12</td> </tr> <tr> <td>(Full flow) →→←←</td> <td>Ø10</td> <td>M 090.09-16 SHF 10</td> </tr> <tr> <td>(Full flow) →→←←</td> <td>Ø12</td> <td>M 090.09-16 SHF 12</td> </tr> </table> 	→→○←←	Ø10	M 090.09-16 SHB 10	→→○←←	Ø12	M 090.09-16 SHB 12	(Full flow) →→←←	Ø10	M 090.09-16 SHF 10	(Full flow) →→←←	Ø12	M 090.09-16 SHF 12
	→→○←←	Ø10	M 090.09-16 SHB 10											
	→→○←←	Ø12	M 090.09-16 SHB 12											
(Full flow) →→←←	Ø10	M 090.09-16 SHF 10												
(Full flow) →→←←	Ø12	M 090.09-16 SHF 12												
<p>Push to connect Steckschlauchanschluss</p> 	<table border="1"> <tr> <td>→→○←←</td> <td>Ø10</td> <td>M 090.09-16 SPB 10</td> </tr> <tr> <td>→→○←←</td> <td>Ø13</td> <td>M 090.09-16 SPB 13</td> </tr> <tr> <td>(Full flow) →→←←</td> <td>Ø10</td> <td>M 090.09-16 SPF 10</td> </tr> <tr> <td>(Full flow) →→←←</td> <td>Ø13</td> <td>M 090.09-16 SPF 13</td> </tr> </table> 	→→○←←	Ø10	M 090.09-16 SPB 10	→→○←←	Ø13	M 090.09-16 SPB 13	(Full flow) →→←←	Ø10	M 090.09-16 SPF 10	(Full flow) →→←←	Ø13	M 090.09-16 SPF 13	
→→○←←	Ø10	M 090.09-16 SPB 10												
→→○←←	Ø13	M 090.09-16 SPB 13												
(Full flow) →→←←	Ø10	M 090.09-16 SPF 10												
(Full flow) →→←←	Ø13	M 090.09-16 SPF 13												
<p>Female thread Innengewinde</p> 	<table border="1"> <tr> <td>→→○←←</td> <td>BSP 3/8</td> <td>M 090.09-16 SFB 17</td> </tr> <tr> <td>→→○←←</td> <td>NPT 3/8</td> <td>M 090.09-16 SNB 17</td> </tr> <tr> <td>(Full flow) →→←←</td> <td>BSP 3/8</td> <td>M 090.09-16 SFF 17</td> </tr> <tr> <td>(Full flow) →→←←</td> <td>NPT 3/8</td> <td>M 090.09-16 SNF 17</td> </tr> </table> 	→→○←←	BSP 3/8	M 090.09-16 SFB 17	→→○←←	NPT 3/8	M 090.09-16 SNB 17	(Full flow) →→←←	BSP 3/8	M 090.09-16 SFF 17	(Full flow) →→←←	NPT 3/8	M 090.09-16 SNF 17	
→→○←←	BSP 3/8	M 090.09-16 SFB 17												
→→○←←	NPT 3/8	M 090.09-16 SNB 17												
(Full flow) →→←←	BSP 3/8	M 090.09-16 SFF 17												
(Full flow) →→←←	NPT 3/8	M 090.09-16 SNF 17												
TYPE K 090.09	Mould side / Abnehmerseite	Item code / Artikelnummer												
<p>8 ← → 8</p>	<p>Plate for 16 lines / Platte für 16 Anschlüsse</p> 	<p>K 090.09-16</p> 												

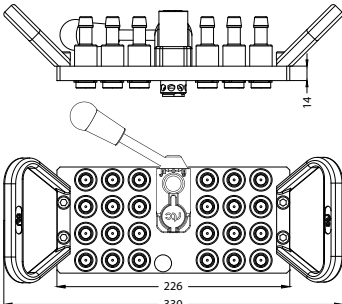


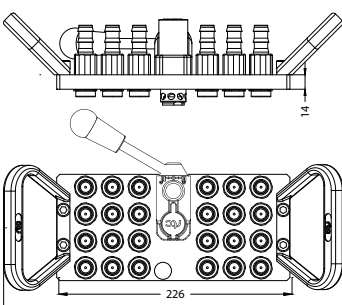
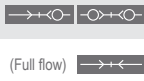

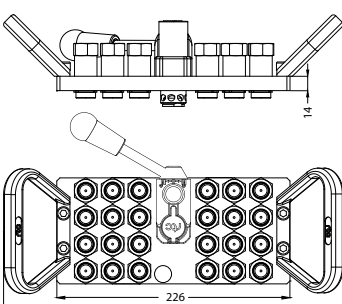


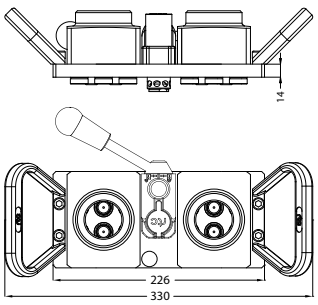


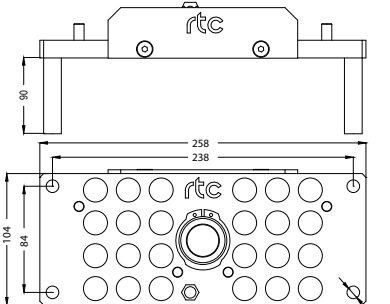

Flow diameter 9 mm / Nennweite 9 mm

TYPE M 090.09 **rtc**

TYPE M 090.09	Mobile side / Versorgerseite	Item code / Artikelnummer												
<p>10 ← → 10</p>	<p><b>Standard hose Schlauchanschluss</b></p> 	<table border="1"> <tr> <td>→←○←○←○</td> <td>Ø10</td> <td>M 090.09-20 SHB 10</td> </tr> <tr> <td>→←○←○←○</td> <td>Ø12</td> <td>M 090.09-20 SHB 12</td> </tr> <tr> <td>(Full flow) →←</td> <td>Ø10</td> <td>M 090.09-20 SHF 10</td> </tr> <tr> <td>(Full flow) →←</td> <td>Ø12</td> <td>M 090.09-20 SHF 12</td> </tr> </table> 	→←○←○←○	Ø10	M 090.09-20 SHB 10	→←○←○←○	Ø12	M 090.09-20 SHB 12	(Full flow) →←	Ø10	M 090.09-20 SHF 10	(Full flow) →←	Ø12	M 090.09-20 SHF 12
	→←○←○←○	Ø10	M 090.09-20 SHB 10											
	→←○←○←○	Ø12	M 090.09-20 SHB 12											
	(Full flow) →←	Ø10	M 090.09-20 SHF 10											
	(Full flow) →←	Ø12	M 090.09-20 SHF 12											
<p><b>Push to connect Steckschlauchanschluss</b></p> 	<table border="1"> <tr> <td>→←○←○←○</td> <td>Ø10</td> <td>M 090.09-20 SPB 10</td> </tr> <tr> <td>→←○←○←○</td> <td>Ø13</td> <td>M 090.09-20 SPB 13</td> </tr> <tr> <td>(Full flow) →←</td> <td>Ø10</td> <td>M 090.09-20 SPF 10</td> </tr> <tr> <td>(Full flow) →←</td> <td>Ø13</td> <td>M 090.09-20 SPF 13</td> </tr> </table> 	→←○←○←○	Ø10	M 090.09-20 SPB 10	→←○←○←○	Ø13	M 090.09-20 SPB 13	(Full flow) →←	Ø10	M 090.09-20 SPF 10	(Full flow) →←	Ø13	M 090.09-20 SPF 13	
→←○←○←○	Ø10	M 090.09-20 SPB 10												
→←○←○←○	Ø13	M 090.09-20 SPB 13												
(Full flow) →←	Ø10	M 090.09-20 SPF 10												
(Full flow) →←	Ø13	M 090.09-20 SPF 13												
<p><b>Female thread Innengewinde</b></p> 	<table border="1"> <tr> <td>→←○←○←○</td> <td>BSP 3/8</td> <td>M 090.09-20 SFB 17</td> </tr> <tr> <td>→←○←○←○</td> <td>NPT 3/8</td> <td>M 090.09-20 SNB 17</td> </tr> <tr> <td>(Full flow) →←</td> <td>BSP 3/8</td> <td>M 090.09-20 SFF 17</td> </tr> <tr> <td>(Full flow) →←</td> <td>NPT 3/8</td> <td>M 090.09-20 SNF 17</td> </tr> </table> 	→←○←○←○	BSP 3/8	M 090.09-20 SFB 17	→←○←○←○	NPT 3/8	M 090.09-20 SNB 17	(Full flow) →←	BSP 3/8	M 090.09-20 SFF 17	(Full flow) →←	NPT 3/8	M 090.09-20 SNF 17	
→←○←○←○	BSP 3/8	M 090.09-20 SFB 17												
→←○←○←○	NPT 3/8	M 090.09-20 SNB 17												
(Full flow) →←	BSP 3/8	M 090.09-20 SFF 17												
(Full flow) →←	NPT 3/8	M 090.09-20 SNF 17												
<p><b>Female thread collector Innengewinde Sammler</b></p> 	<table border="1"> <tr> <td>→←○←○←○</td> <td>BSP 1.1/4</td> <td>M 090.09-20 C 42</td> </tr> <tr> <td>→←○←○←○</td> <td>NPT 1.1/4</td> <td>M 090.09-20 CN 42</td> </tr> </table> 	→←○←○←○	BSP 1.1/4	M 090.09-20 C 42	→←○←○←○	NPT 1.1/4	M 090.09-20 CN 42							
→←○←○←○	BSP 1.1/4	M 090.09-20 C 42												
→←○←○←○	NPT 1.1/4	M 090.09-20 CN 42												
<p>TYPE K 090.09</p> <p>10 ← → 10</p>	<p><b>Mould side / Abnehmerseite</b></p> <p><b>Plate for 20 lines / Platte für 20 Anschlüsse</b></p> 	<p>Item code / Artikelnummer</p> <p>K 090.09-20</p> 												

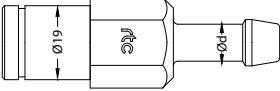


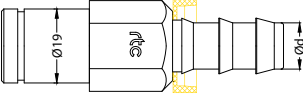
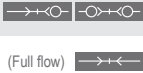

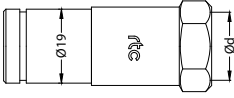


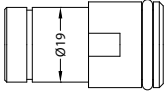

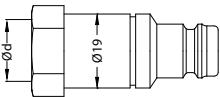


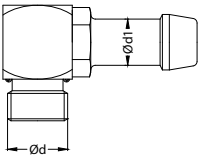
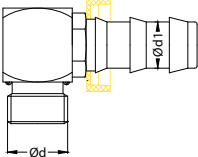
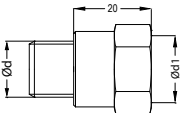
rtc TYPE M 090.09

Flow diameter 9 mm / Nennweite 9 mm

TYPE M 090.09	Mobile side / Versorgerseite	Item code / Artikelnummer									
<p>12 ↔ 12</p>		<p>Standard hose Schlauchanschluss</p>	 <table border="0"> <tr><td>Ø10</td><td>M 090.09-24 SHB 10</td></tr> <tr><td>Ø12</td><td>M 090.09-24 SHB 12</td></tr> <tr><td>Ø10</td><td>M 090.09-24 SHF 10</td></tr> <tr><td>Ø12</td><td>M 090.09-24 SHF 12</td></tr> </table> 	Ø10	M 090.09-24 SHB 10	Ø12	M 090.09-24 SHB 12	Ø10	M 090.09-24 SHF 10	Ø12	M 090.09-24 SHF 12
	Ø10	M 090.09-24 SHB 10									
	Ø12	M 090.09-24 SHB 12									
	Ø10	M 090.09-24 SHF 10									
Ø12	M 090.09-24 SHF 12										
	<p>Push to connect Steckschlauchanschluss</p>	 <table border="0"> <tr><td>Ø10</td><td>M 090.09-24 SPB 10</td></tr> <tr><td>Ø13</td><td>M 090.09-24 SPB 13</td></tr> <tr><td>Ø10</td><td>M 090.09-24 SPF 10</td></tr> <tr><td>Ø13</td><td>M 090.09-24 SPF 13</td></tr> </table> 	Ø10	M 090.09-24 SPB 10	Ø13	M 090.09-24 SPB 13	Ø10	M 090.09-24 SPF 10	Ø13	M 090.09-24 SPF 13	
Ø10	M 090.09-24 SPB 10										
Ø13	M 090.09-24 SPB 13										
Ø10	M 090.09-24 SPF 10										
Ø13	M 090.09-24 SPF 13										
	<p>Female thread Innengewinde</p>	 <table border="0"> <tr><td>BSP 3/8</td><td>M 090.09-24 SFB 17</td></tr> <tr><td>NPT 3/8</td><td>M 090.09-24 SNB 17</td></tr> <tr><td>BSP 3/8</td><td>M 090.09-24 SFF 17</td></tr> <tr><td>NPT 3/8</td><td>M 090.09-24 SNF 17</td></tr> </table> 	BSP 3/8	M 090.09-24 SFB 17	NPT 3/8	M 090.09-24 SNB 17	BSP 3/8	M 090.09-24 SFF 17	NPT 3/8	M 090.09-24 SNF 17	
BSP 3/8	M 090.09-24 SFB 17										
NPT 3/8	M 090.09-24 SNB 17										
BSP 3/8	M 090.09-24 SFF 17										
NPT 3/8	M 090.09-24 SNF 17										
	<p>Female thread collector Innengewinde Sammler</p>	 <table border="0"> <tr><td>BSP 1-1/4</td><td>M 090.09-24 C 42</td></tr> <tr><td>NPT 1-1/4</td><td>M 090.09-24 CN 42</td></tr> </table> 	BSP 1-1/4	M 090.09-24 C 42	NPT 1-1/4	M 090.09-24 CN 42					
BSP 1-1/4	M 090.09-24 C 42										
NPT 1-1/4	M 090.09-24 CN 42										
<p>12 ↔ 12</p>	<p>TYPE K 090.09</p> <p>Mould side / Abnehmerseite</p> 	<p>Plate for 24 lines / Platte für 24 Anschlüsse</p> <p>Item code / Artikelnummer</p> <p>K 090.09-24</p> 									

Flow diameter 9 mm / Nennweite 9 mm

TYPE M 090.09 **rtc**

TYPE M 090.09	Sockets / Kupplungen	Connection / Anschluss	Item code / Artikelnummer	
	Standard hose Schlauchanschluss	 Ø10 Ø12 (Full flow)  Ø10 Ø12	M 090.09 SHB 10 M 090.09 SHB 12 M 090.09 SHF 10 M 090.09 SHF 12	
		Push to connect Steckschlauchanschluss	 Ø10 Ø13 (Full flow)  Ø10 Ø13	M 090.09 SPB 10 M 090.09 SPB 13 M 090.09 SPF 10 M 090.09 SPF 13
		Female thread Innengewinde	 BSP 3/8 NPT 3/8 (Full flow)  BSP 3/8 NPT 3/8	M 090.09 SFB 17 M 090.09 SNB 17 M 090.09 SFF 17 M 090.09 SNF 17
		For collector Für Sammler		M 090.09 SAB 00
TYPE M 090.09	Plugs / Nippel	Connection / Anschluss	Item code / Artikelnummer	
	Female thread Innengewinde	 BSP 3/8 NPT 3/8 (Full flow)  BSP 3/8 NPT 3/8	M 090.09 PFB 17 M 090.09 PNB 17 M 090.09 PFF 17 M 090.09 PNF 17	
TYPE M 090.09	Adapters elbow / Adapter Winkel	Connection / Anschluss	Item code / Artikelnummer	
	Standard hose Schlauchanschluss	BSP 3/8 → Ø10 Ø12 NPT 3/8 → Ø10 Ø12	EBH 17/10-90 EBH 17/12-90 EBH 17T/10-90 EBH 17T/12-90	
		Push to connect Steckschlauchanschluss	BSP 3/8 → Ø10 Ø13 NPT 3/8 → Ø10 Ø13	EBP 17/10-90 EBP 17/13-90 EBP 17T/10-90 EBP 17T/13-90
		TE 17-20 BSP 3/8" Male (Ød) - BSP 3/8" Female (Ød1) Extention BSP 3/8" Aussengewinde (Ød) - BSP 3/8" Innengewinde (Ød1) Verlängerung TE 17-17N-20 BSP 3/8" Male (Ød) - NPT 3/8" Female (Ød1) Extention BSP 3/8" Aussengewinde (Ød) - NPT 3/8" Innengewinde (Ød1) Verlängerung TE 17T-17N-20 NPT 3/8" Male (Ød) - NPT 3/8" Female (Ød1) Extention NPT 3/8" Aussengewinde (Ød) - NPT 3/8" Innengewinde (Ød1) Verlängerung		