

Water Multi Coupling For
European Plug Profile

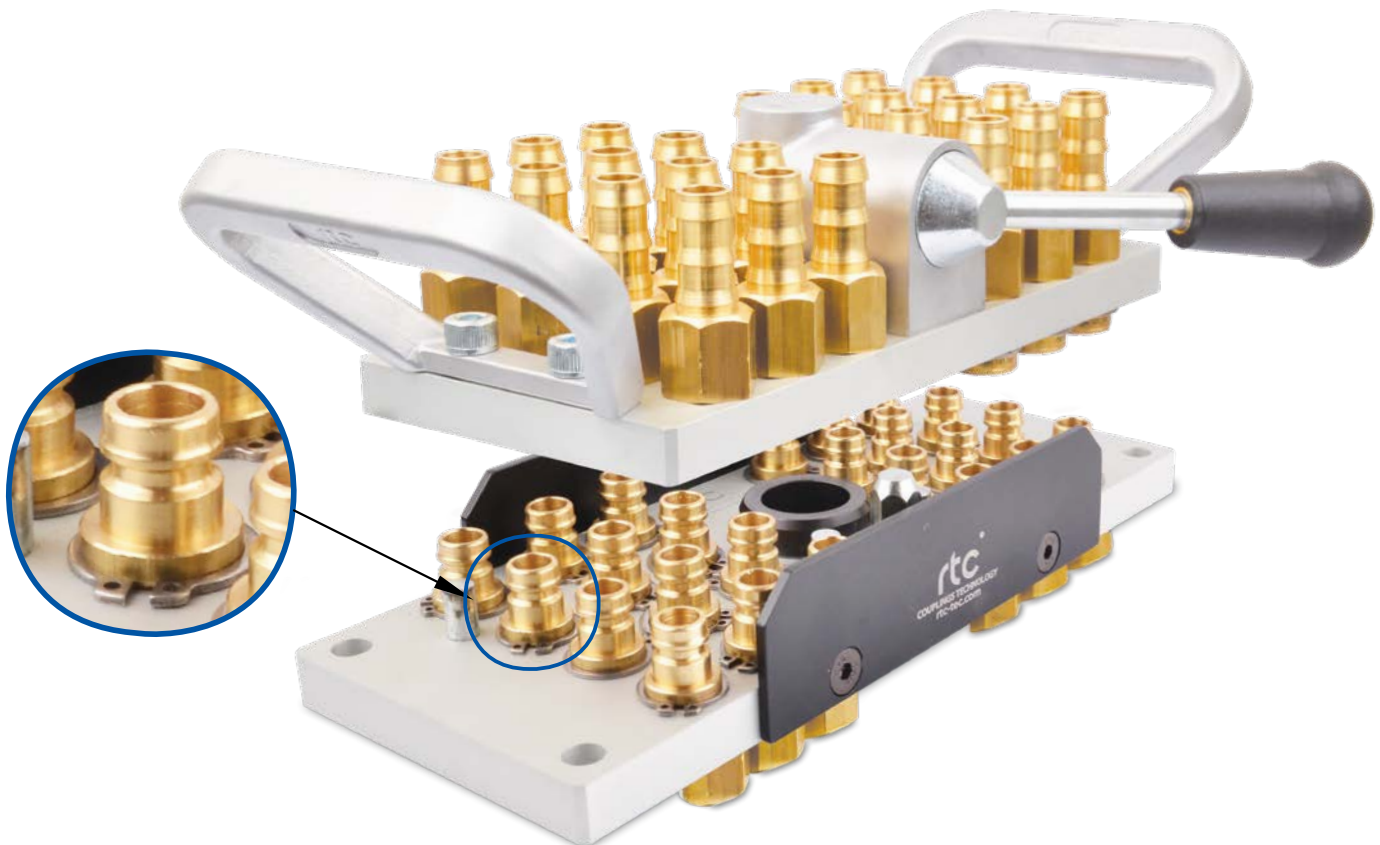
rtc[®]
COUPLING TECHNOLOGY



M090

rtc TYPE

rtc Multicoupling systems
rtc Multikupplungssysteme type M090



rtc Multicoupling systems / rtc Multikupplungssysteme type M090



Type	Max. Working Pressure Max. Betriebsdruck	Flow size Nennweite	Connections Anschlüsse	Circuits Kreislauf
rtc M090.09	16 bar	09	6 / 8 / 10 / 12 / 16 / 20 / 24	3 / 4 / 5 / 6 / 8 / 10 / 12
<p>Temperature Range - Temperaturbereich</p> <p>For oil / bei Öl -10°C +200°C (+14°F +392°F) FPM (V)</p> <p>For water / bei Wasser -10°C +160°C (+14°F +320°F) FPM (V)</p>				



Specification

Connecting and disconnecting the circuits in one operation for quick mold change

Colour coded plates for circuit definition

Eigenschaften

Verbinden und Trennen von mehreren Kreisläufen in einem Arbeitsgang für das schnelle Rüsten

Kennzeichnung von Zu- und Rücklauf durch farbige Platten

Applications

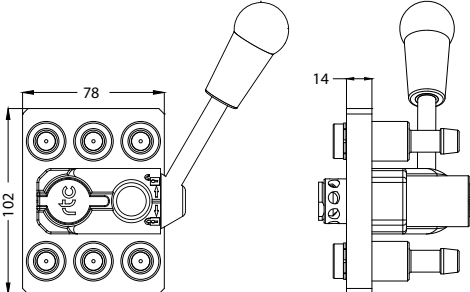
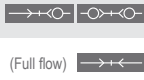

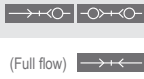

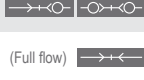

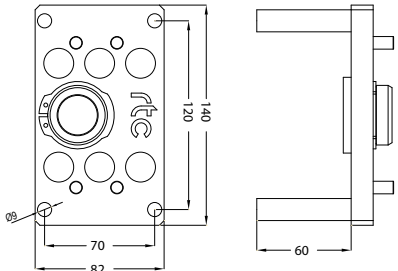
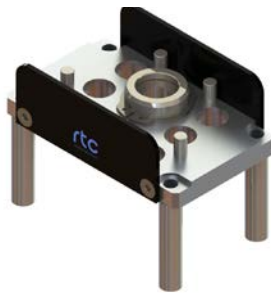
Aluminium die casting
Test units
Plastics industry / cooling heating

Anwendungen

Aluminiumdruckguß
Prüfstände
Kunststoffindustrie / Mehrkreistemperierung / Kühlen Temperieren

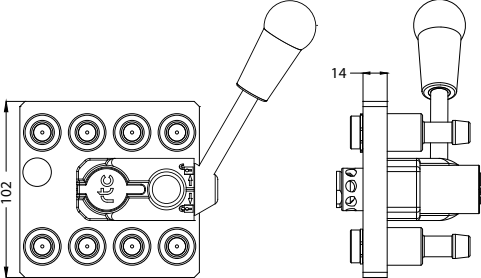









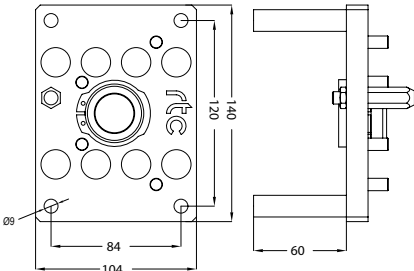

rtc TYPE M 090.09

Flow diameter 9 mm / Nennweite 9 mm

TYPE M 090.09	Mobile side / Versorgerseite		Item code / Artikelnummer
<p>3 ↔ 3</p> 	<p>Standard hose Schlauchanschluss</p> 		<p>M 090.09-06 SHB 10 M 090.09-06 SHB 12 M 090.09-06 SHF 10 M 090.09-06 SHF 12</p>
	<p>Push to connect Steckschlauchanschluss</p> 		<p>M 090.09-06 SPB 10 M 090.09-06 SPB 13 M 090.09-06 SPF 10 M 090.09-06 SPF 13</p>
	<p>Female thread Innengewinde</p> 		<p>M 090.09-06 SFB 17 M 090.09-06 SNB 17 M 090.09-06 SFF 17 M 090.09-06 SNF 17</p>
TYPE K 090.09	Mould side / Abnehmerseite		Item code / Artikelnummer
<p>3 ↔ 3</p> 	<p>Plate for 6 lines / Platte für 6 Anschlüsse</p> 		<p>K 090.09-06</p>

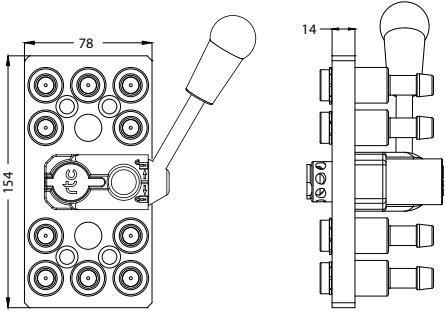

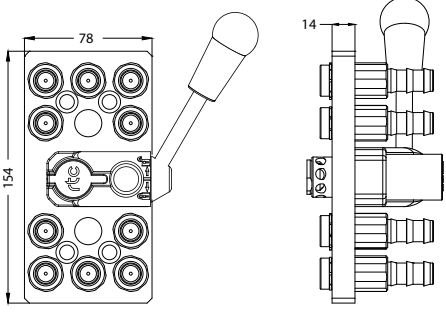

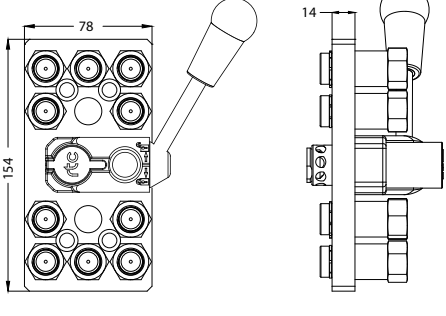

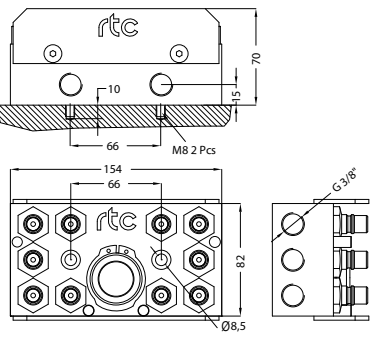

Flow diameter 9 mm / Nennweite 9 mm

TYPE M 090.09 **rtc**

TYPE M 090.09	Mobile side / Versorgerseite		Item code / Artikelnummer
<p>4 ↔ 4</p> 	<p>Standard hose Schlauchanschluss</p>  <p>(Full flow) </p>	<p>Ø10 Ø12 Ø10 Ø12</p> 	<p>M 090.09-08 SHB 10 M 090.09-08 SHB 12 M 090.09-08 SHF 10 M 090.09-08 SHF 12</p>
	<p>Push to connect Steckschlauchanschluss</p>  <p>(Full flow) </p>	<p>Ø10 Ø13 Ø10 Ø13</p> 	<p>M 090.09-08 SPB 10 M 090.09-08 SPB 13 M 090.09-08 SPF 10 M 090.09-08 SPF 13</p>
	<p>Female thread Innengewinde</p>  <p>(Full flow) </p>	<p>BSP 3/8 NPT 3/8 BSP 3/8 NPT 3/8</p> 	<p>M 090.09-08 SFB 17 M 090.09-08 SNB 17 M 090.09-08 SFF 17 M 090.09-08 SNF 17</p>
<p>4 ↔ 4</p> 	<p>Plate for 8 lines / Platte für 8 Anschlüsse</p> 		<p>K 090.09-08</p>

rtc TYPE M 090.09

Flow diameter 9 mm / Nennweite 9 mm

TYPE M 090.09	Mobile side / Versorgerseite	Item code / Artikelnummer												
<p>5 ↔ 5</p> 	<p>Standard hose Schlauchanschluss</p> 	<table border="1"> <tr> <td>→○←</td> <td>Ø10</td> <td>M 090.09-10 SHB 10</td> </tr> <tr> <td>→○←</td> <td>Ø12</td> <td>M 090.09-10 SHB 12</td> </tr> <tr> <td>(Full flow) →←</td> <td>Ø10</td> <td>M 090.09-10 SHF 10</td> </tr> <tr> <td>(Full flow) →←</td> <td>Ø12</td> <td>M 090.09-10 SHF 12</td> </tr> </table>	→○←	Ø10	M 090.09-10 SHB 10	→○←	Ø12	M 090.09-10 SHB 12	(Full flow) →←	Ø10	M 090.09-10 SHF 10	(Full flow) →←	Ø12	M 090.09-10 SHF 12
→○←	Ø10	M 090.09-10 SHB 10												
→○←	Ø12	M 090.09-10 SHB 12												
(Full flow) →←	Ø10	M 090.09-10 SHF 10												
(Full flow) →←	Ø12	M 090.09-10 SHF 12												
	<p>Push to connect Steckschlauchanschluss</p> 	<table border="1"> <tr> <td>→○←</td> <td>Ø10</td> <td>M 090.09-10 SPB 10</td> </tr> <tr> <td>→○←</td> <td>Ø13</td> <td>M 090.09-10 SPB 13</td> </tr> <tr> <td>(Full flow) →←</td> <td>Ø10</td> <td>M 090.09-10 SPF 10</td> </tr> <tr> <td>(Full flow) →←</td> <td>Ø13</td> <td>M 090.09-10 SPF 13</td> </tr> </table>	→○←	Ø10	M 090.09-10 SPB 10	→○←	Ø13	M 090.09-10 SPB 13	(Full flow) →←	Ø10	M 090.09-10 SPF 10	(Full flow) →←	Ø13	M 090.09-10 SPF 13
→○←	Ø10	M 090.09-10 SPB 10												
→○←	Ø13	M 090.09-10 SPB 13												
(Full flow) →←	Ø10	M 090.09-10 SPF 10												
(Full flow) →←	Ø13	M 090.09-10 SPF 13												
	<p>Female thread Innengewinde</p> 	<table border="1"> <tr> <td>→○←</td> <td>BSP 3/8</td> <td>M 090.09-10 SFB 17</td> </tr> <tr> <td>→○←</td> <td>NPT 3/8</td> <td>M 090.09-10 SNB 17</td> </tr> <tr> <td>(Full flow) →←</td> <td>BSP 3/8</td> <td>M 090.09-10 SFF 17</td> </tr> <tr> <td>(Full flow) →←</td> <td>NPT 3/8</td> <td>M 090.09-10 SNF 17</td> </tr> </table>	→○←	BSP 3/8	M 090.09-10 SFB 17	→○←	NPT 3/8	M 090.09-10 SNB 17	(Full flow) →←	BSP 3/8	M 090.09-10 SFF 17	(Full flow) →←	NPT 3/8	M 090.09-10 SNF 17
→○←	BSP 3/8	M 090.09-10 SFB 17												
→○←	NPT 3/8	M 090.09-10 SNB 17												
(Full flow) →←	BSP 3/8	M 090.09-10 SFF 17												
(Full flow) →←	NPT 3/8	M 090.09-10 SNF 17												
TYPE K 090.09	Mould side / Abnehmerseite	Item code / Artikelnummer												
<p>5 ↔ 5</p> 	<p>Plate with 10 plugs Platte mit 10 Anschlüsse</p> 	<table border="1"> <tr> <td>→○←</td> <td>BSP 3/8</td> <td>K 090.09-10 PMB 17</td> </tr> <tr> <td>(Full flow) →←</td> <td>BSP 3/8</td> <td>K 090.09-10 PMF 17</td> </tr> </table>	→○←	BSP 3/8	K 090.09-10 PMB 17	(Full flow) →←	BSP 3/8	K 090.09-10 PMF 17						
→○←	BSP 3/8	K 090.09-10 PMB 17												
(Full flow) →←	BSP 3/8	K 090.09-10 PMF 17												